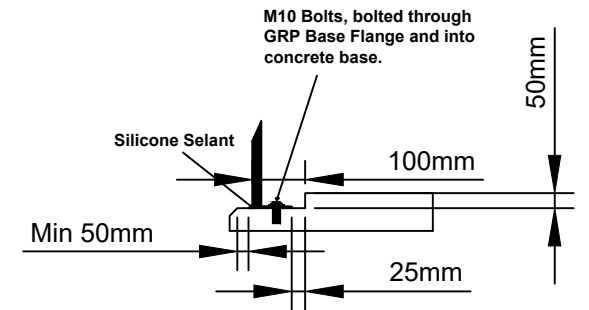


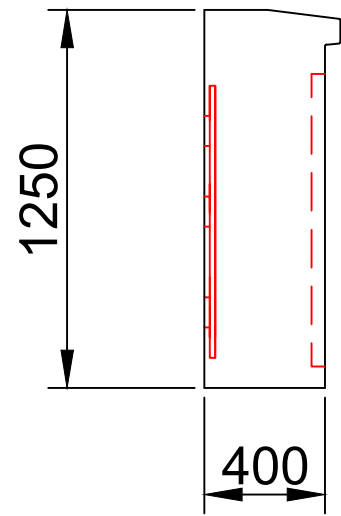
Typical Stepped Concrete Base Detail (Recommended)



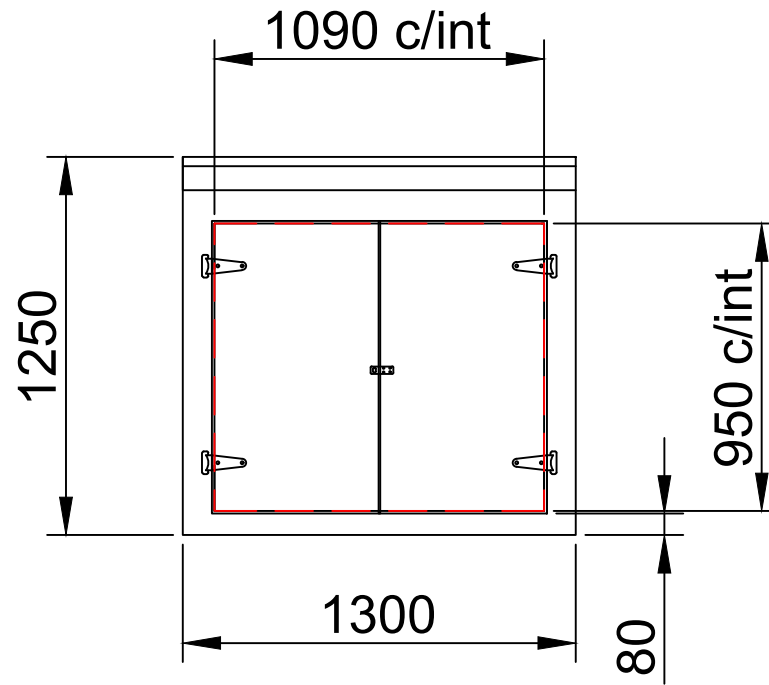
NOTES:

DOUBLE DOOR:

- 1no. 1090mm Wide x 950mm High
- 4no. Stainless Steel Hinges
- 2no. Stainless Steel Spring Tower Bolts
- 1no. Cylinder Night Latch Lock or Hasp & Staple

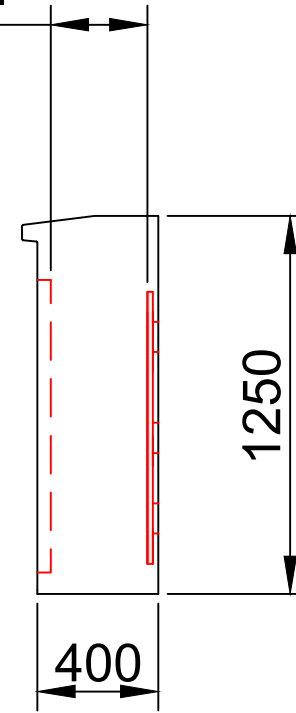


WALL 2



WALL 1

310 approx.



WALL 4

Company	The Enclosure Company	External Finish: Semi Gloss	Internal Color: White	External Color: T.B.C.
Contact	Lance Burns	Fire Resistance: BS476 Part 22- 1/2 hr.	Base Flange: 100mm GRP Base Flange	Roof Construction: GRP
Order #	-			
DWG #	ET8	Doors: 1no. Double Door 1090mm x 950mm (H)	Ventilation:	Wall Construction: GRP
Rev				
Date	10/11/15			
Scale	N/A			