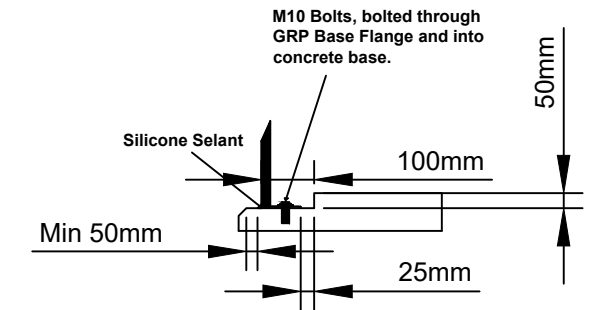


Typical Stepped Concrete Base Detail (Recommended)

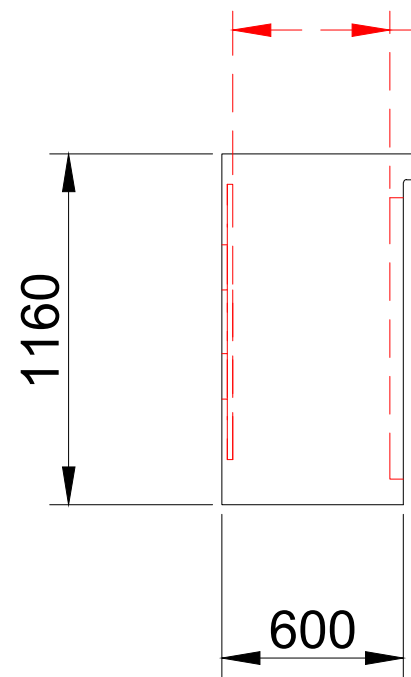


NOTES:

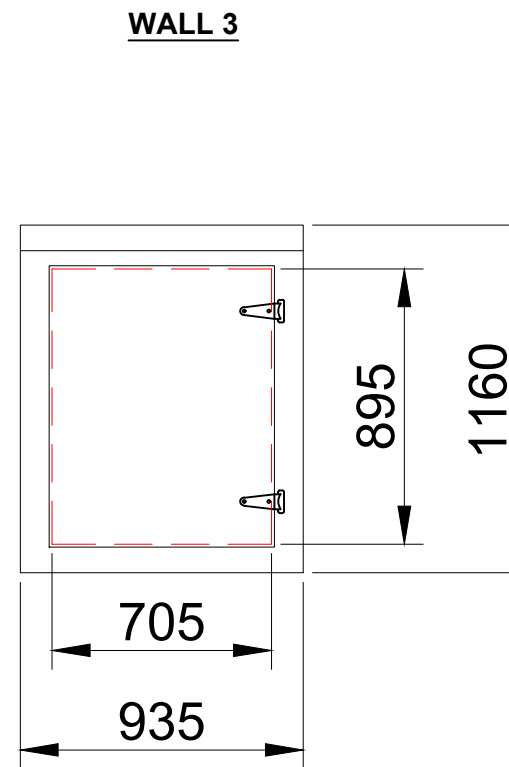
SINGLE DOOR:

- 1no. 705mm Wide x 895mm High
- 2no. Stainless Steel Hinges
- 1no. Cylinder Night Latch Lock or Hasp & Staple

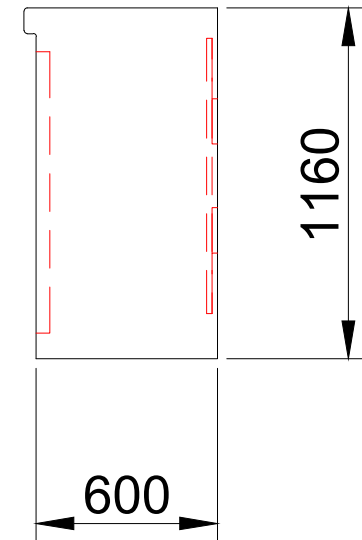
500mm approx clear internal



WALL 2



WALL 1



WALL 4

| | | | | |
|---------|-----------------------|---|-----------------------|------------------------|
| Company | The Enclosure Company | External Finish: Semi Gloss | Internal Color: White | External Color: T.B.C. |
| Contact | Lance Burns | Fire Resistance: BS476 Part 22- 1/2 hr. | Base Flange: | Roof Construction: GRP |
| Order # | - | | | |
| DWG # | ET6a | Doors: 1no. Single Door 705mm x 895mm (H) | Ventilation: | Wall Construction: GRP |
| Rev | | | | |
| Date | 10/11/15 | | | |
| Scale | N/A | | | |