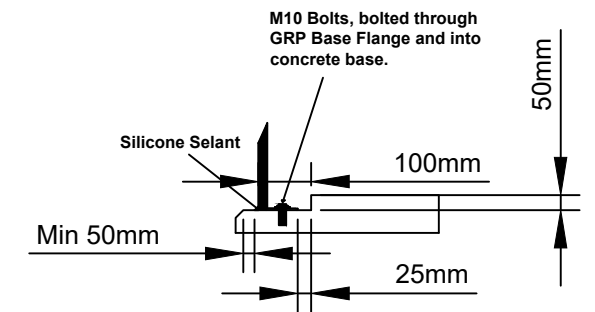


**WALL 3**

**Typical Stepped Concrete Base Detail (Recommended)**

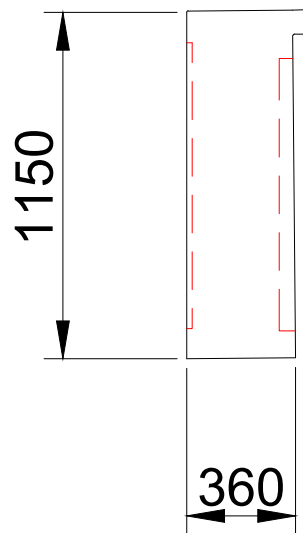


**NOTES:**

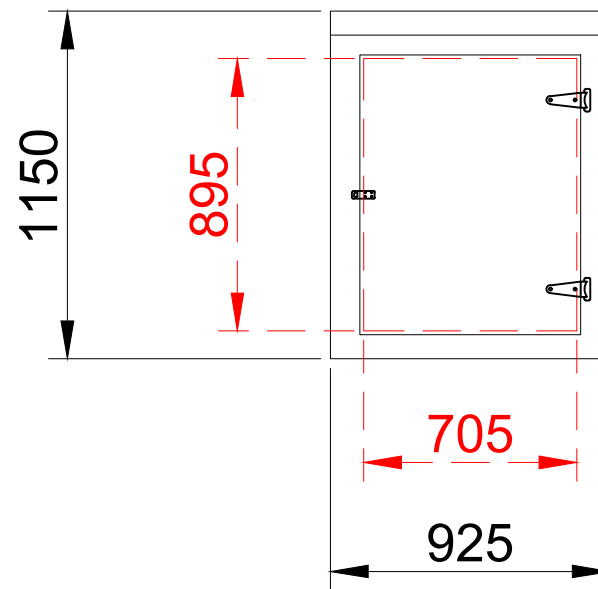
**SINGLE DOOR:**

- 1no. 705mm Wide x 895mm High
- 2no. Stainless Steel Hinges
- 1no. Cylinder Night Latch Lock or Hasp & Staple

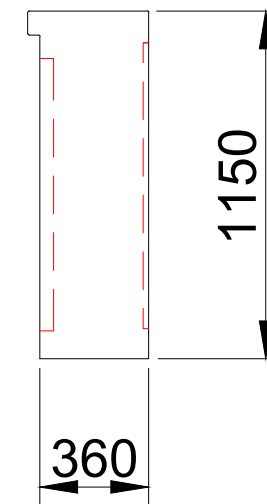
Call +44(0)203 743 0700, email sales@enclosurecompany.com or visit www.enclosurecompany.com to order this enclosure today



**WALL 2**



**WALL 1**



**WALL 4**

Company		The Enclosure Company		External Finish: Semi Gloss		Internal Color: White		External Color: T.B.C.	
Contact		Lance Burns		Fire Resistance: BS476 Part 22- 1/2 hr.		Base Flange:		Roof Construction: GRP	
Order #		-		Doors: 1no. Single Door 750mm x 895mm (H)		Ventilation:		Wall Construction: GRP	
DWG #	ET5	Rev		Date	10/11/15	Scale	N/A		