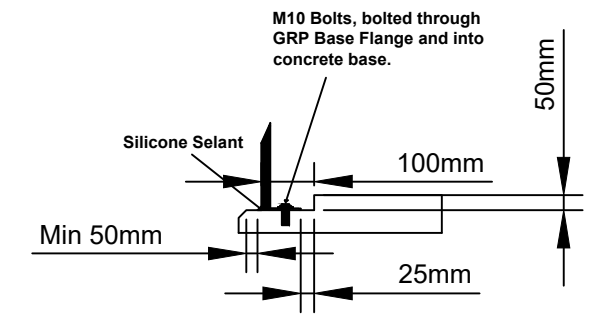


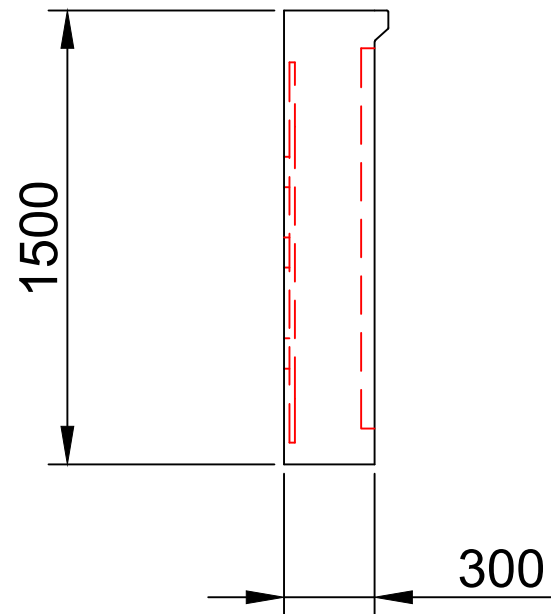
Typical Stepped Concrete Base Detail (Recommended)



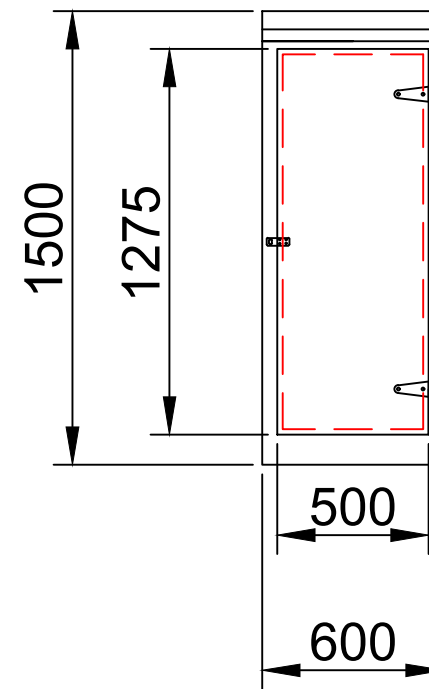
NOTES:

- SINGLE DOOR:**
 1no. 500mm Wide x 1275mm High
 2no. Stainless Steel Hinges
 1no. Cylinder Night Latch Lock or Hasp & Staple

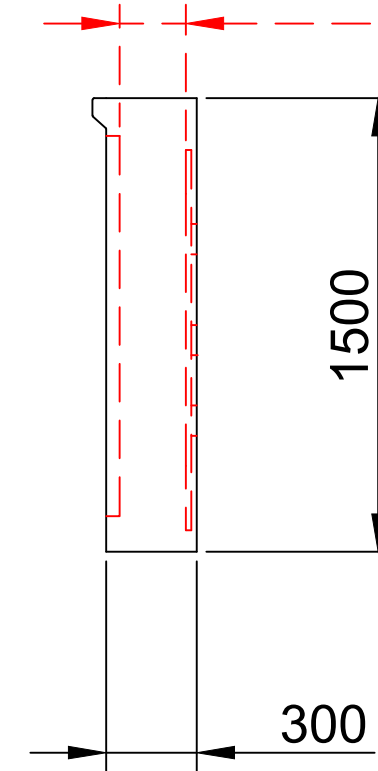
**210mm approx.
clear internal**



WALL 2



WALL 1



WALL 4

Company		External Finish: Semi Gloss		Internal Color: White		External Color: T.B.C.	
Contact		Andrew Jones		Base Flange: 100mm GRP Base Flange		Roof Construction: GRP	
Order #		-		Fire Resistance: BS476 Part 22- 1/2 hr.		Wall Construction: GRP	
DWG #	ET3a	Rev		Date	10/11/15	Scale	N/A
Doors: 1no. Single Door 500mm x 1275mm (H)				Ventilation:			