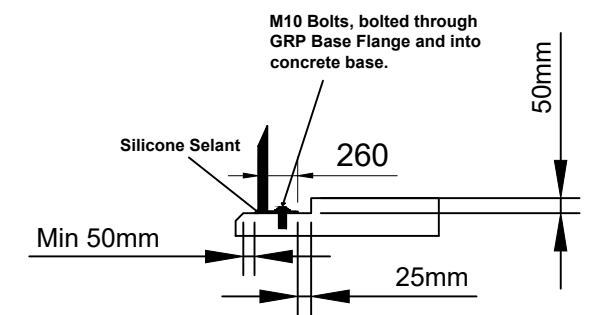


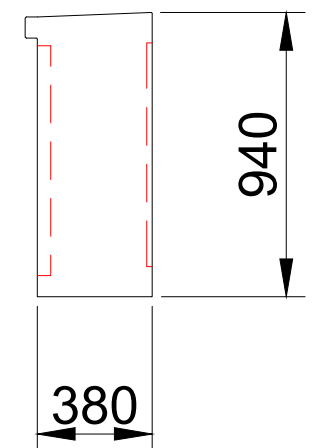
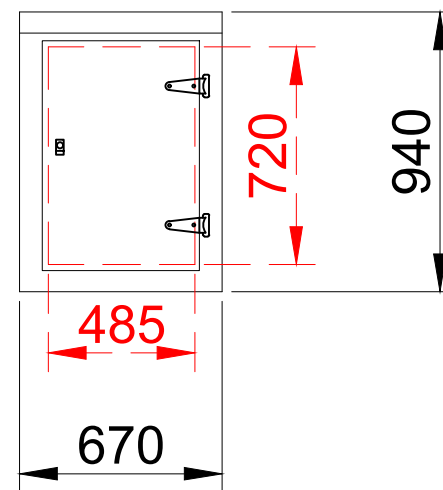
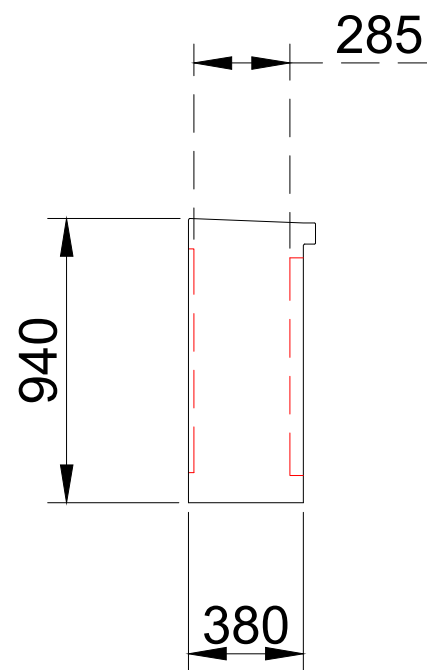
**Typical Stepped Concrete Base Detail (Recommended)**



**NOTES:**

**SINGLE DOOR:**

- 1no. 535mm Wide x 820mm High
- 2no. Stainless Steel Hinges
- 1no. Cylinder Night Latch Lock or Hasp & Staple



**WALL 2**

**WALL 1**

**WALL 4**

Company		External Finish: Semi Gloss		Internal Color: White		External Color: T.B.C.	
Contact		Fire Resistance: BS476 Part 22- 1/2 hr.		Base Flange: GRP		Roof Construction: GRP	
Order # -		Doors: 1no. Single Door 485mm x 720mm (H)		Ventilation:		Wall Construction: GRP	
DWG #	ET3	Rev	Date	10/11/15	Scale	N/A	