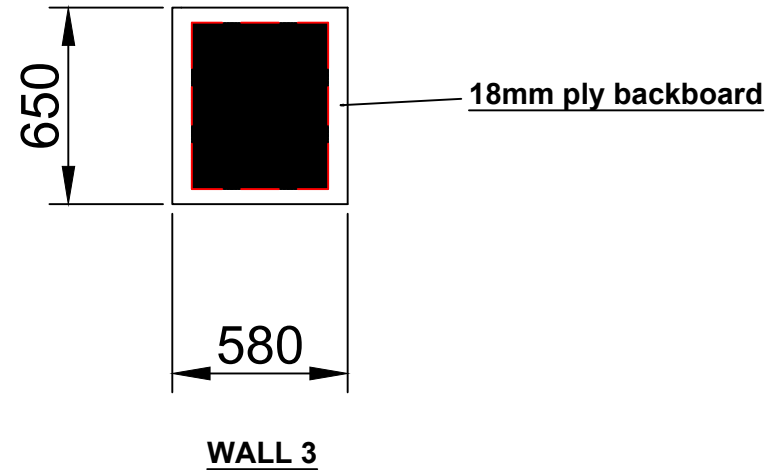
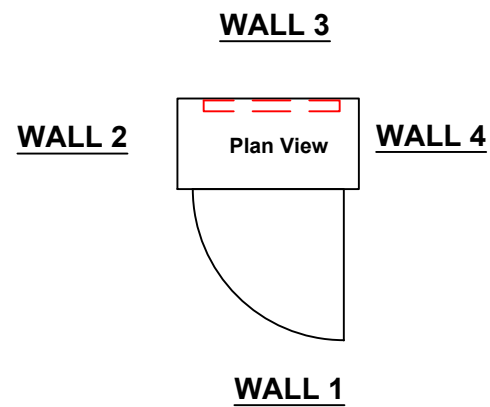
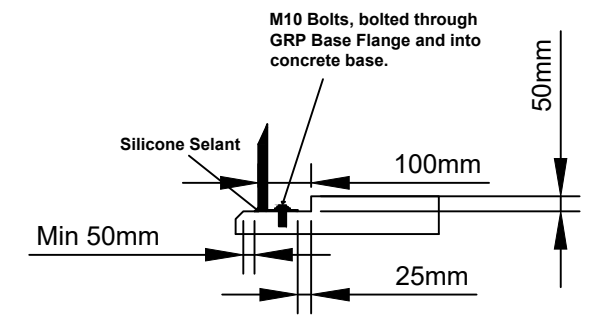


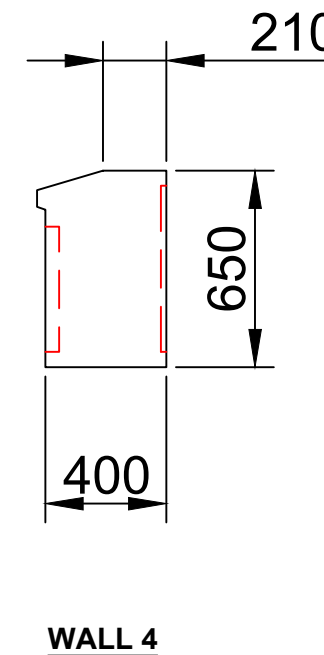
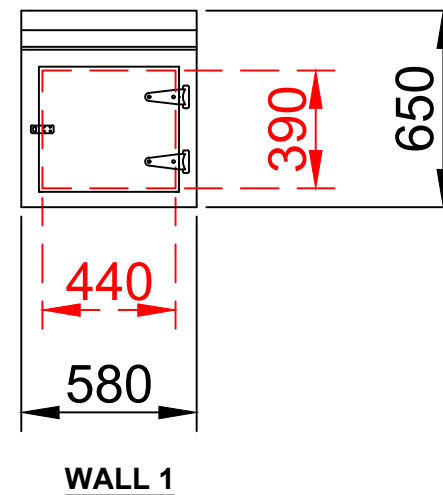
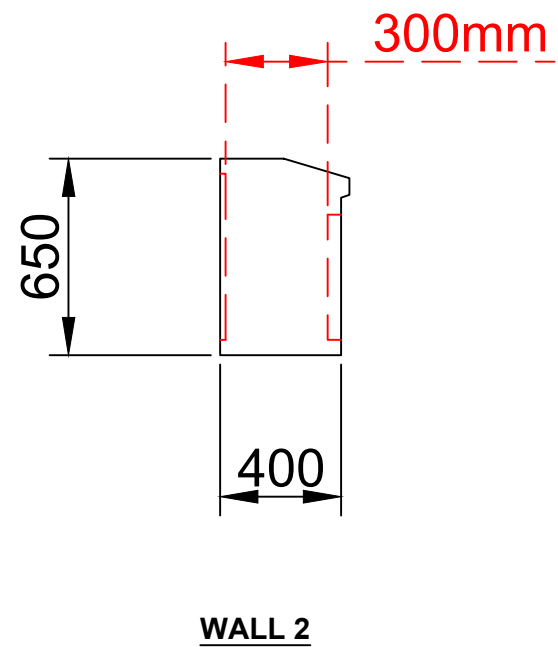
Typical Stepped Concrete Base Detail (Recommended)



NOTES:

SINGLE DOOR:

- 1no. 440mm Wide x 390mm High
- 2no. Stainless Steel Hinges
- 1no. Cylinder Night Latch Lock or Hasp & Staple



Company	The Enclosure Company	External Finish: Semi Gloss	Internal Color: White	External Color: T.B.C.
Contact	Lance Burns	Fire Resistance: BS476 Part 22- 1/2 hr.	Base Flange: 100mm GRP Base Flange	Roof Construction: GRP
Order #	-			
DWG #	ET2	Doors: 1no. Single Door 440mm x 390mm (H)	Ventilation:	Wall Construction: GRP
Rev				
Date	10/11/15			
Scale	N/A			