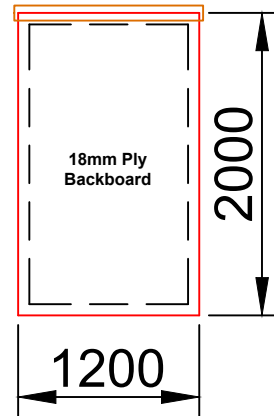
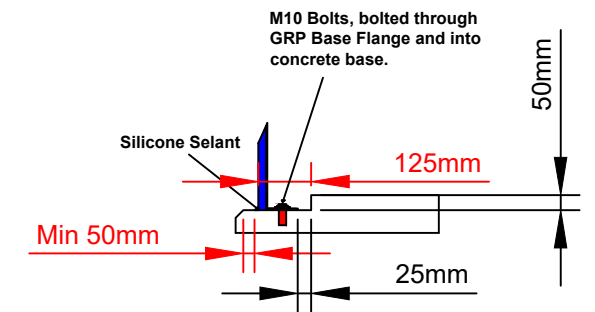


ENCLOSURE PLAN VIEW 1



ENCLOSURE REAR VIEW 4

Typical Stepped Concrete Base Detail (Recommended)



ET12A

NOTES:

DOUBLE DOOR:

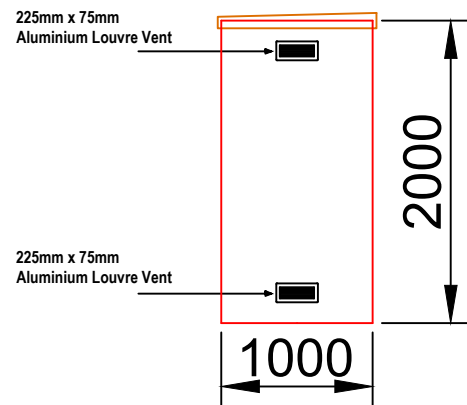
- 1no. 900mm Wide x 1800mm High
- 4no. Stainless Steel Hinges
- 1no. Stainless Steel Hasp & Staple

VENTILATION:

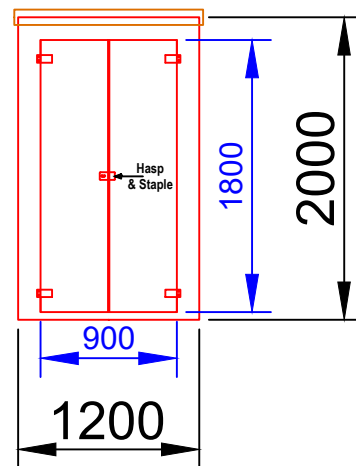
- 4no. 225mm x 75mm Aluminium Louvre Vent h

BACKBOARD:

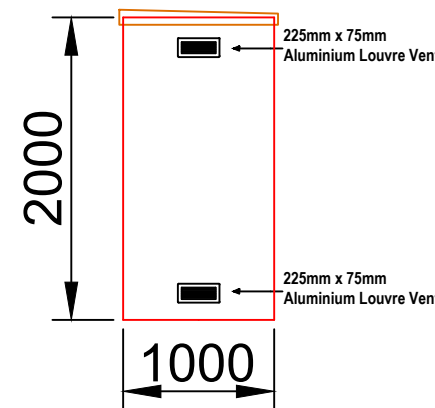
- 1no. 18mm Ply Surface Treated Backboard



**EXTERNAL ELEVATION WALL 2
(SIDE WALL)**



**EXTERNAL ELEVATION WALL 1
(FRONT WALL)**



**EXTERNAL ELEVATION WALL 3
(SIDE WALL)**

Company	The Enclosure Company	External Finish: Semi-Gloss: Smooth	Internal Color: White	External Color: Green (14-C-39)
Contact	Hardy Hemmingway	Fire Resistance: BS476 Part 22- 1/2 hr.	Base Flange: 100mm GRP Base Flange	Roof Construction: Single Skin GRP
Order #		Doors: 1no. Double Door 900mm x 1800mm (H)	Ventilation: 4no. 225mm x 75mm Aluminium Louvre Vent	Wall Construction: Single Skin GRP
DWG #	ET12A	Rev	Date	22-09-16
		Scale	N/A	