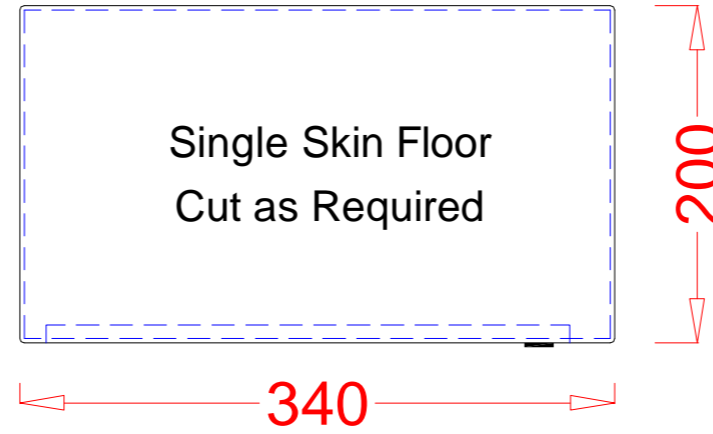
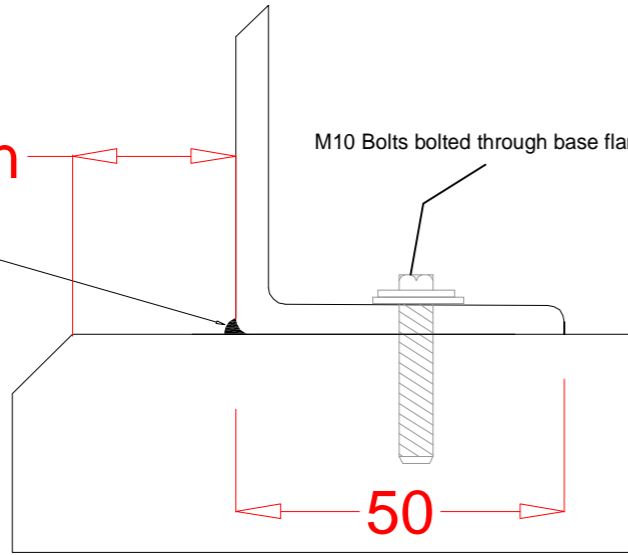


50mm Min

Silicone Sealant

M10 Bolts bolted through base flange and into concrete.



ETO

- OPTIONS LIST
- ANY COLOUR
 - 18mm PLY BACK BOARD
 - HASP AND STAPLE
 - FLOOR SINGLE SKIN
 - FLOOR LOAD BEARING
 - CAT FLAP
 - ELECTRICS
 - VENTS
 - IP UPGRADE TO IP65

