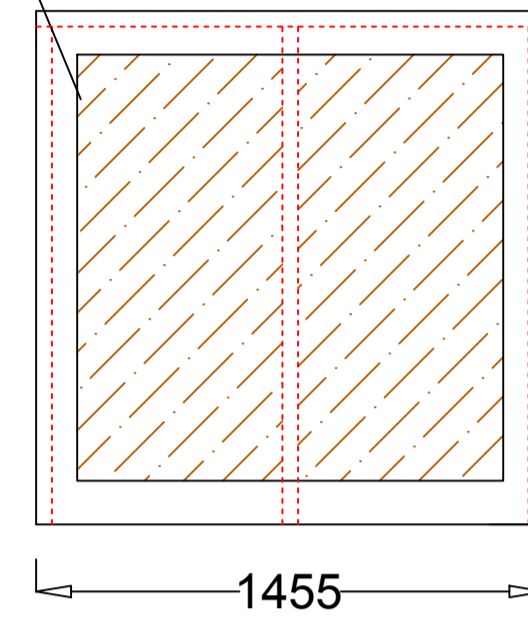
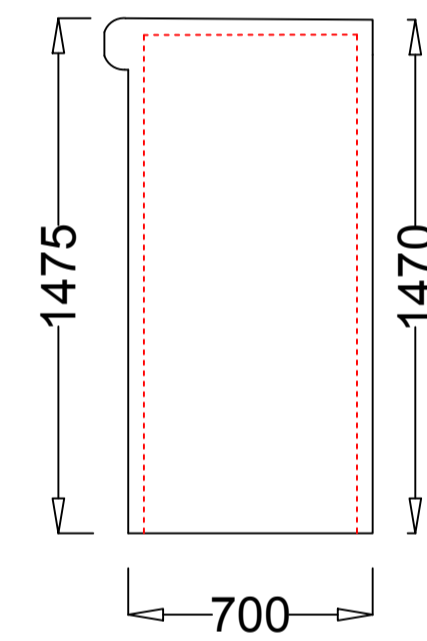
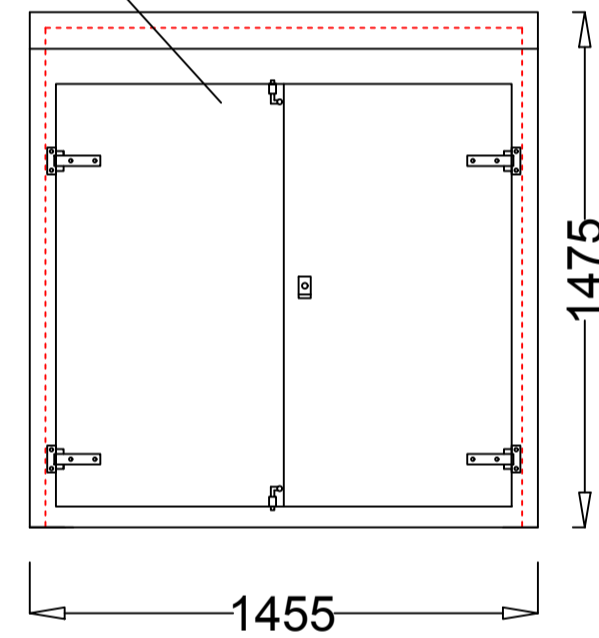
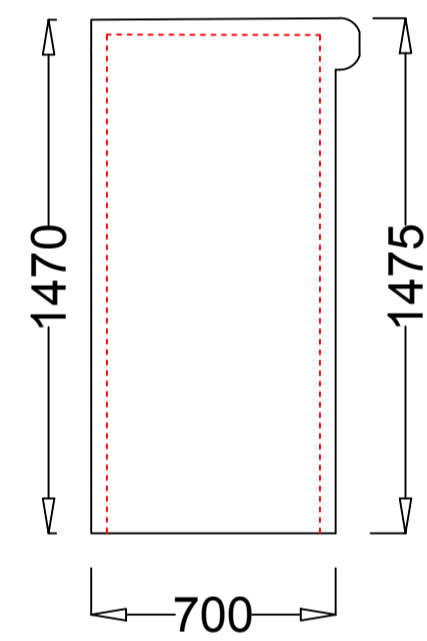


1220mm x 1220mm x 18mm Surface Treated Ply Backboard.

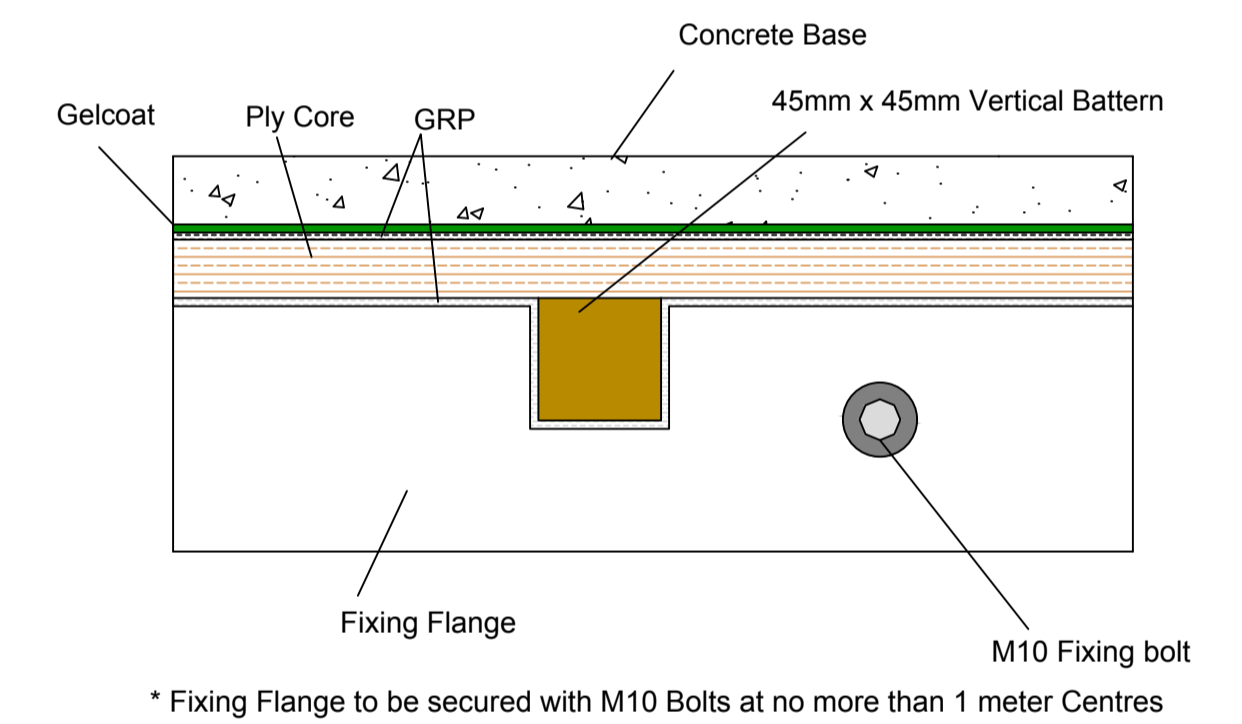


Clear Internal Dimensions - 1435mm x 590mm x 1440mm

- 1No. Double door (1185 mm W x 1200mm H Clear Opening)
- 4No. St/St Hinges
- 1No. Yale type Lock
- 2No. Shoot Bolts
- 1No. Compression Seal

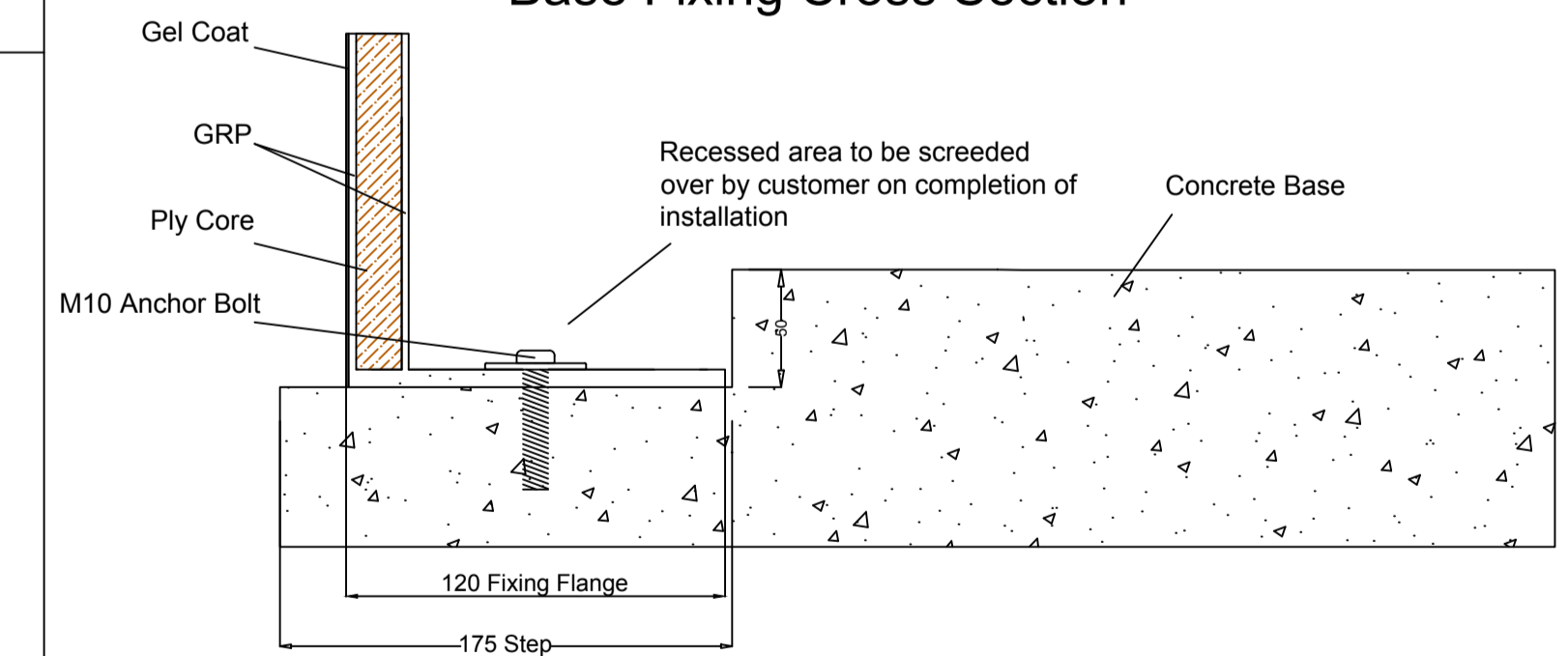


Recommended Base Fixing Detail Plan View

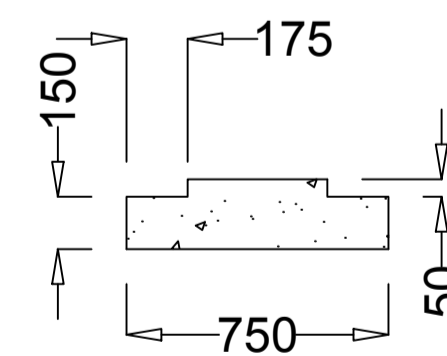
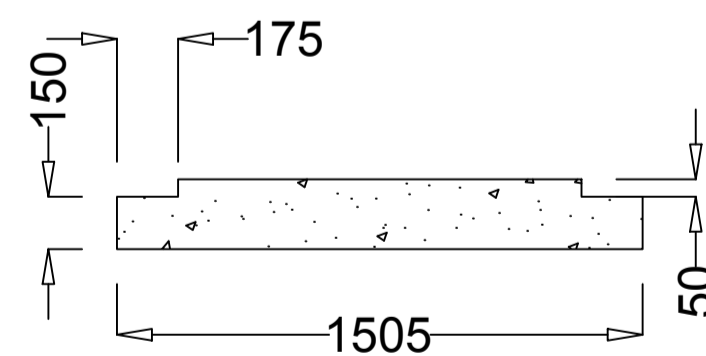
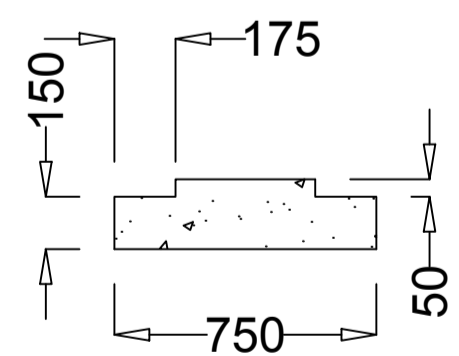


\* Fixing Flange to be secured with M10 Bolts at no more than 1 meter Centres

Base Fixing Cross Section



Recommended Stepped Base Detail



GRP Enclosure



+44(0)203 790 7877  
www.grpenclosure.com

Company: GRP Enclosure

Contact: +44(0)203 790 7877

Scheme Title: VR9

Date: 20.06.23

Checked:

Approx. Weight = 85KG

External Colour BS or RAL "U" Value = 3.0 W/sq.m/degC

Construction: Single skin

Drawing No. VR9