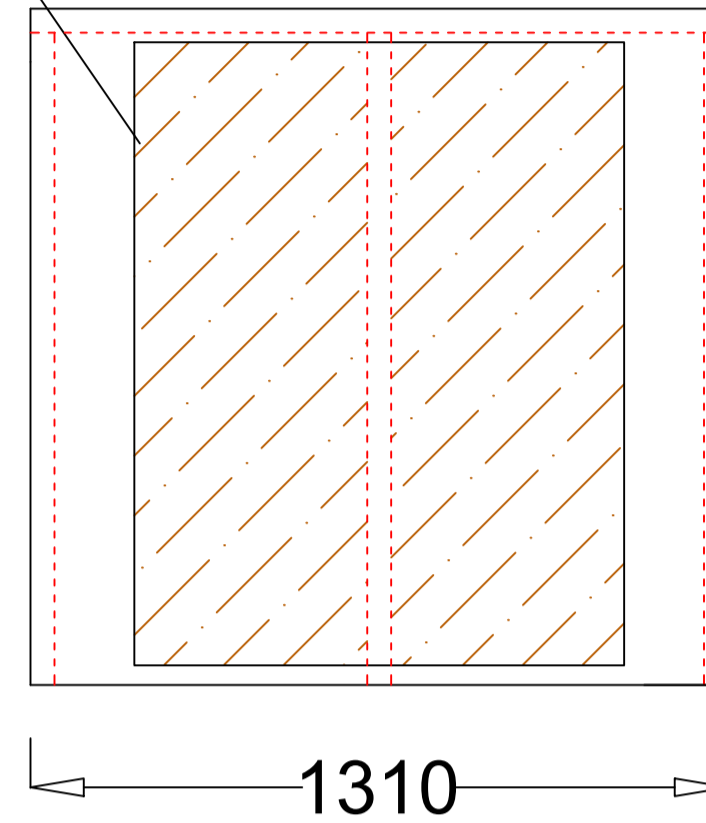
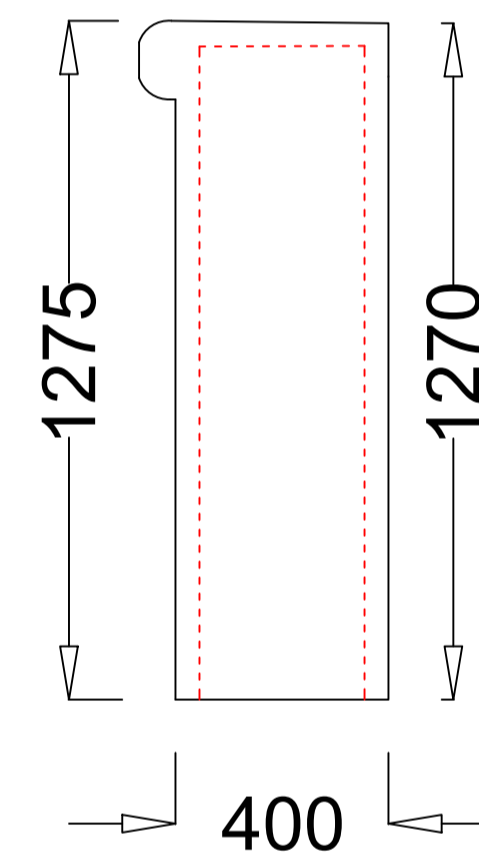
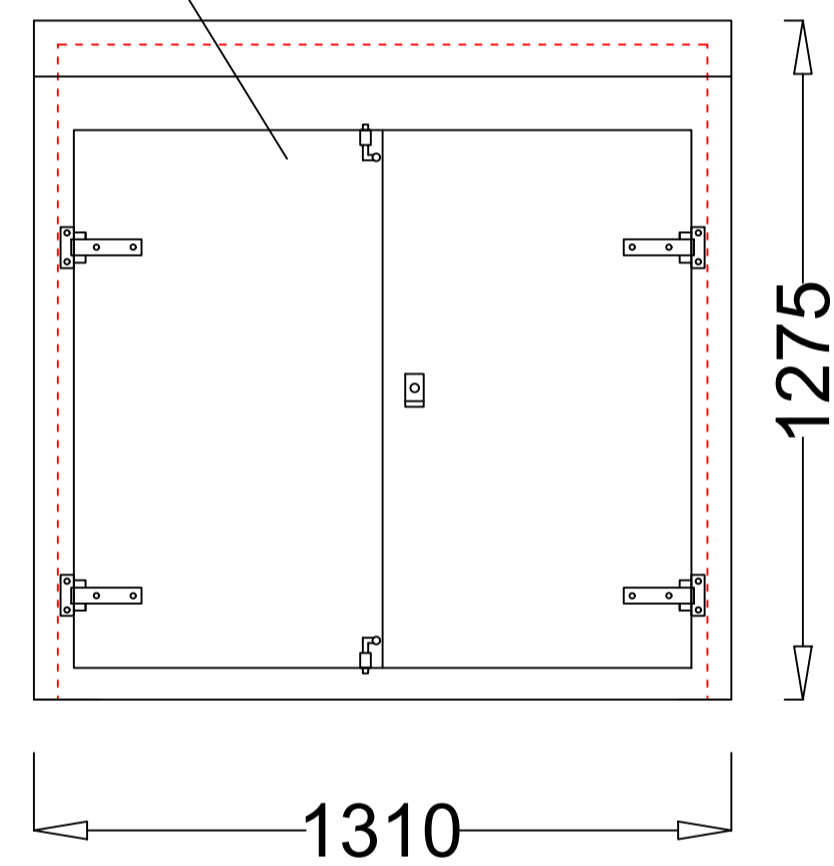
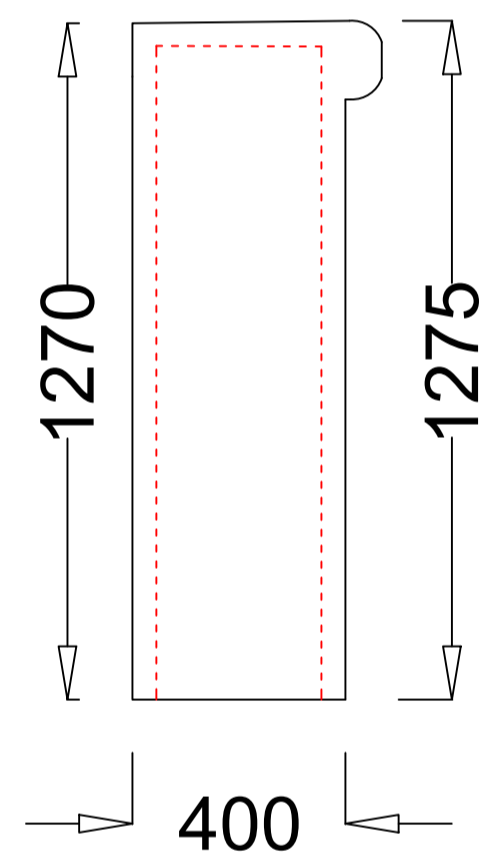


920mm x 1170mm x 18mm Surface Treated Ply Backboard.

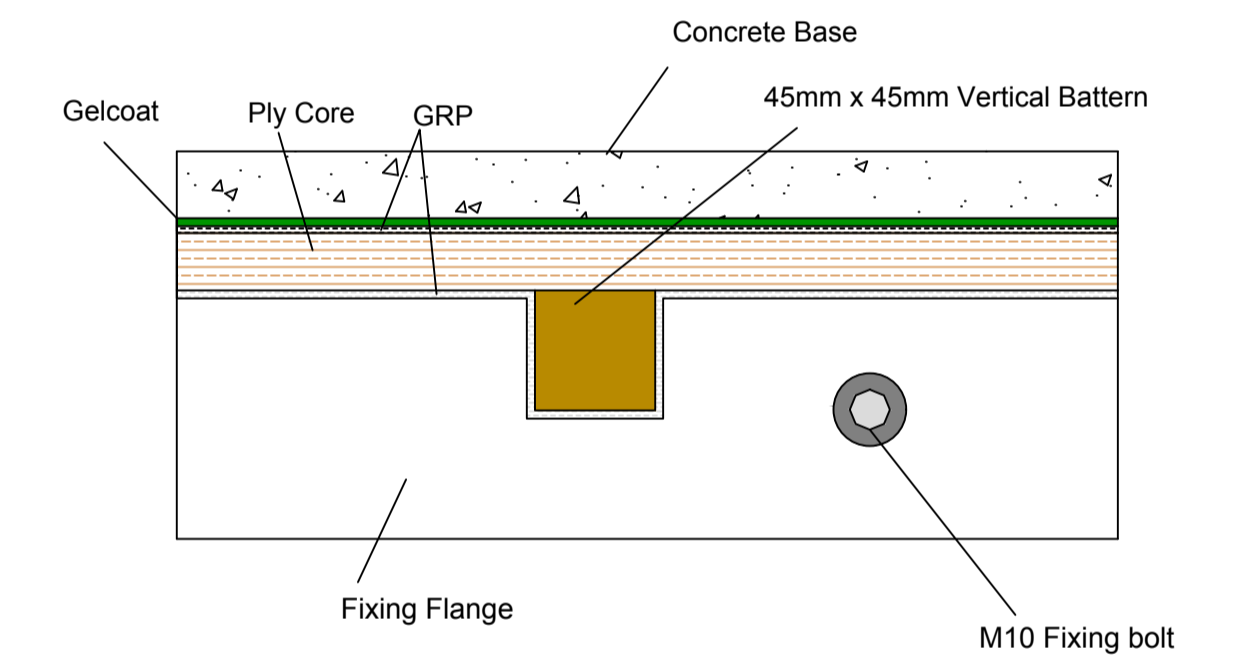
Clear Internal Dimensions - 1300mm x 290mm x 1250mm



- 1No. Double door (1160 mm W x 1010mm H Clear Opening)
- 4No. St/St Hinges
- 1No. Yale type Lock
- 2No. Shoot Bolts
- 1No. Compression Seal

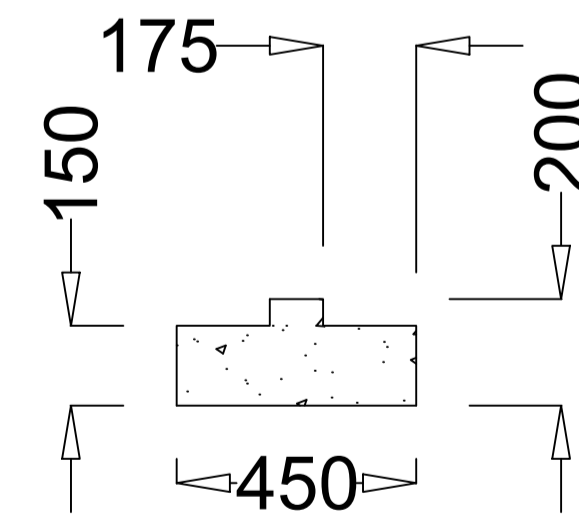
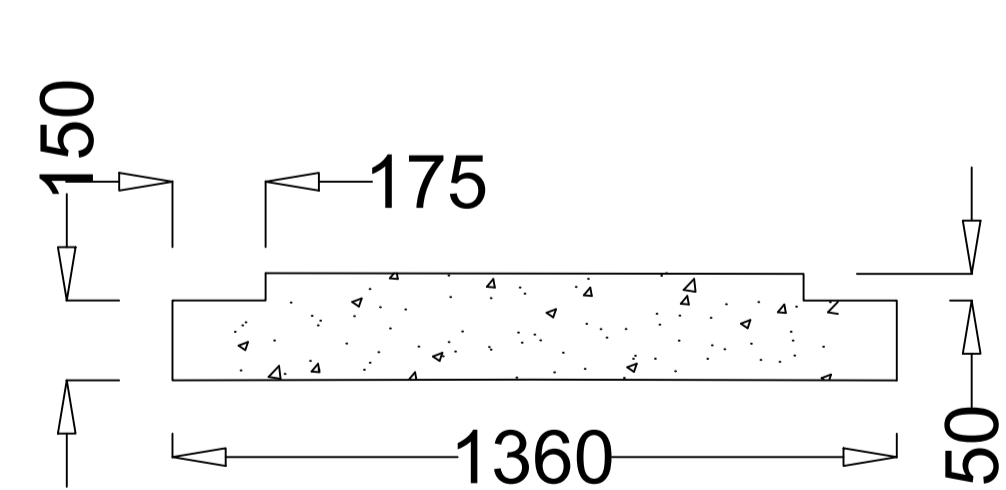
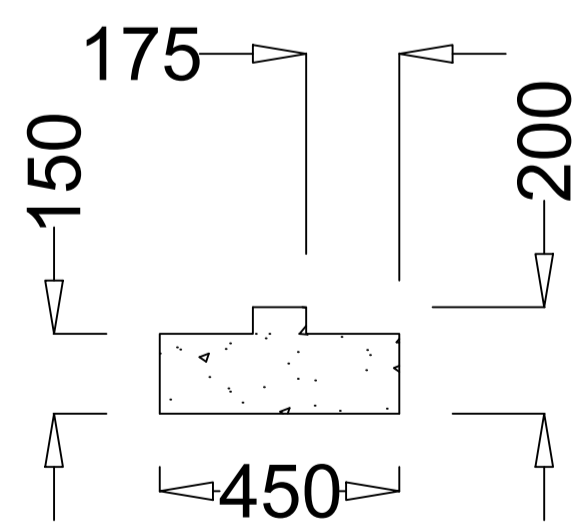


Recommended Base Fixing Detail Plan View

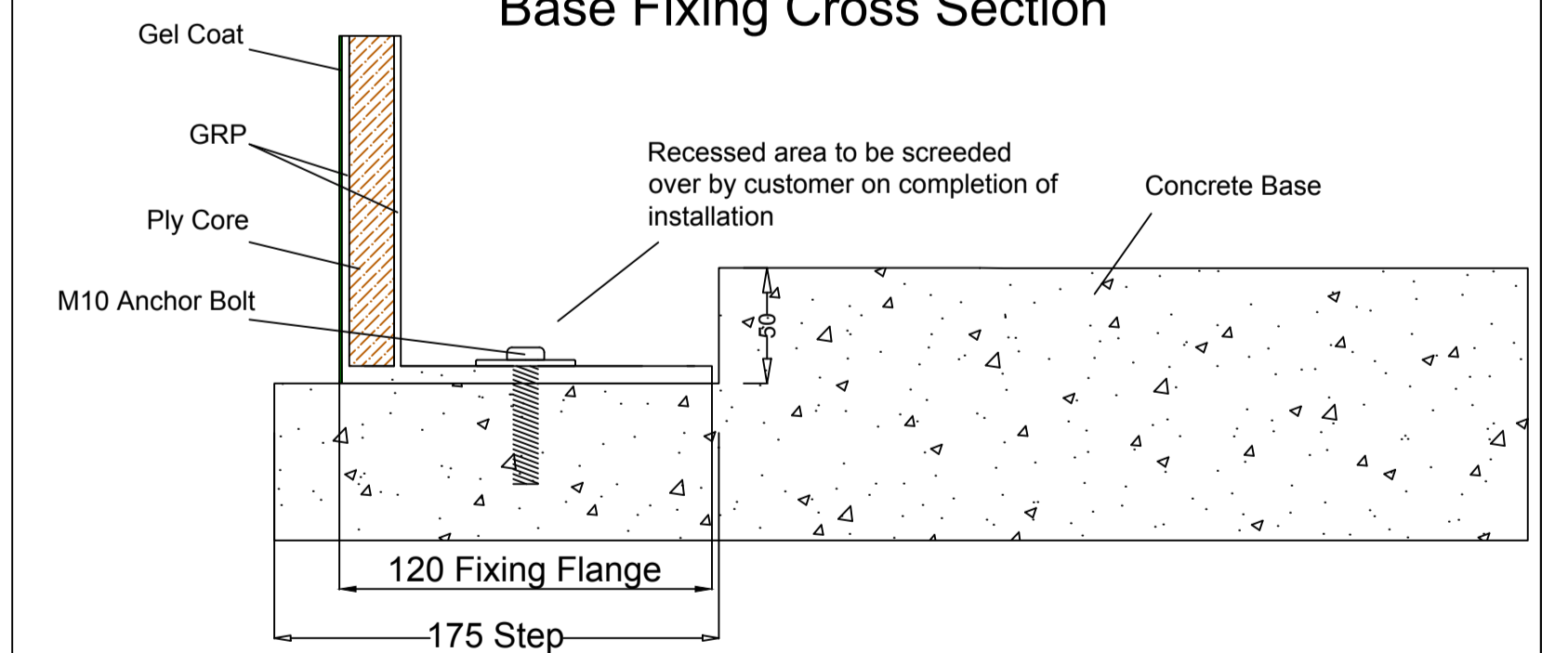


* Fixing Flange to be secured with M10 Bolts at no more than 1 meter Centres

Recommended Stepped Base Detail



Base Fixing Cross Section



External Colour - BS or RAL

Approx. Weight = 55KG

"U" Value = 3.0 W/sq.m/degC



GRP Enclosure

+44(0)203 790 7877
www.grpenclosure.com

Company: GRP Enclosure

Contact: +44(0)203 790 7877

Scheme Title: VR8

Date: 20.06.23

Checked:

Construction: Single skin

Drawing No. VR8