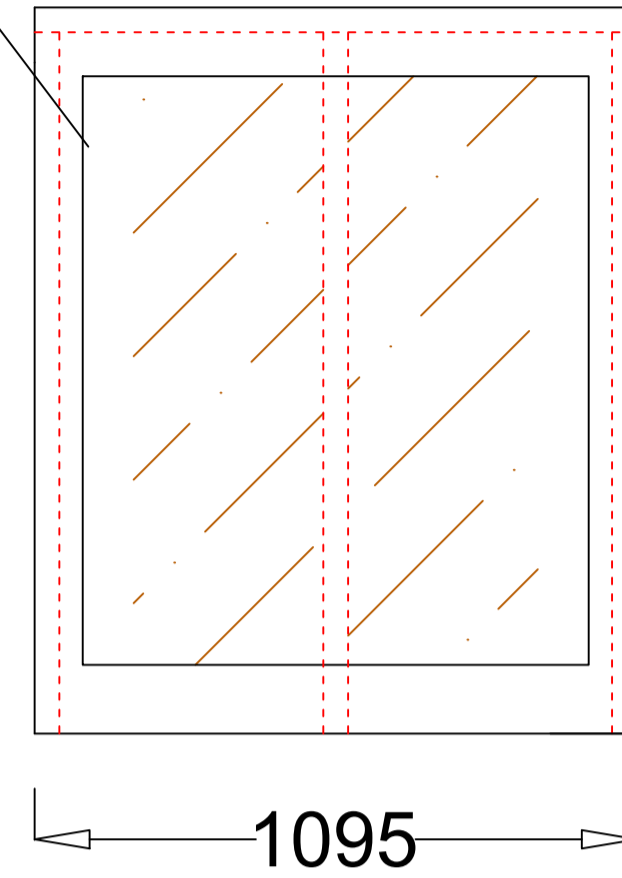
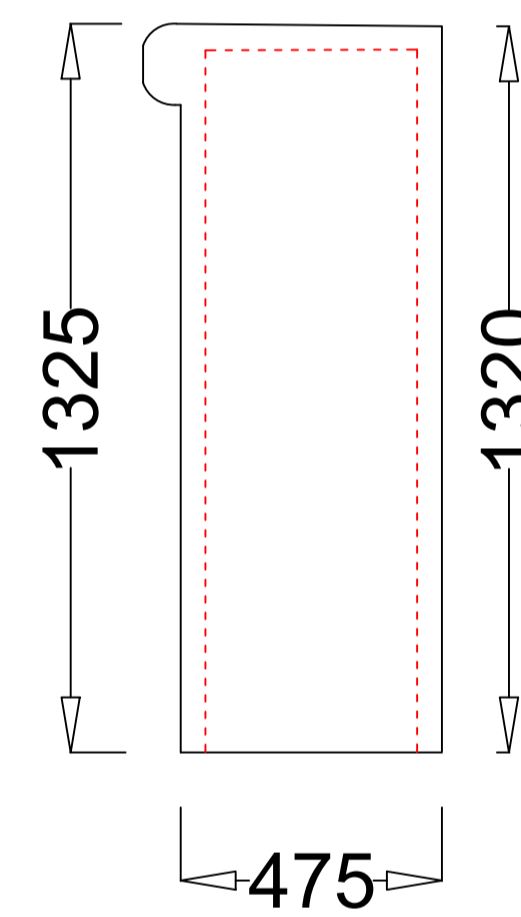
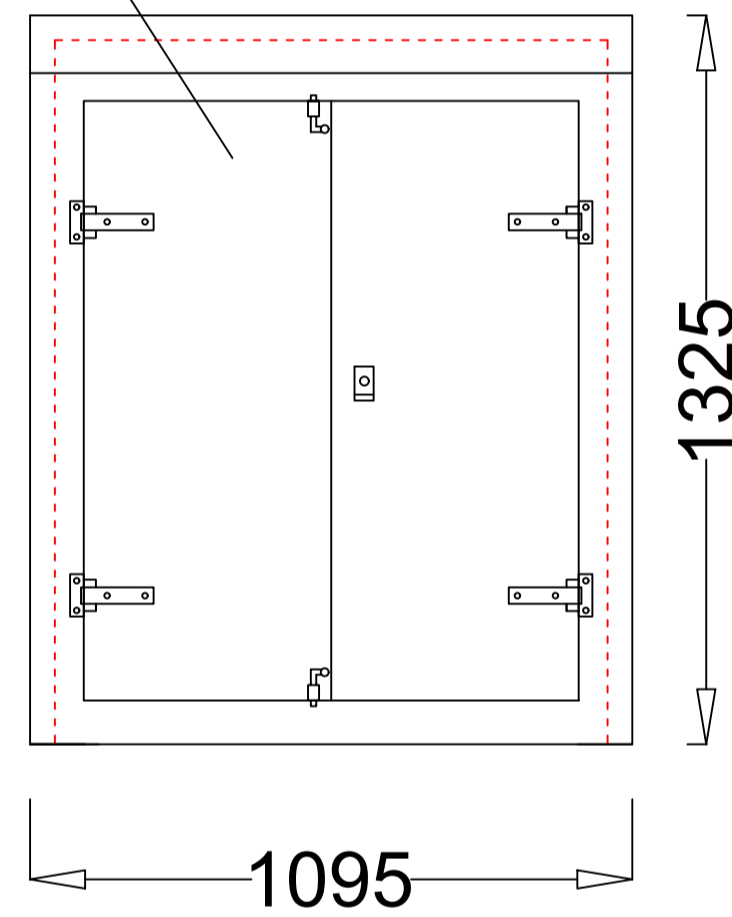
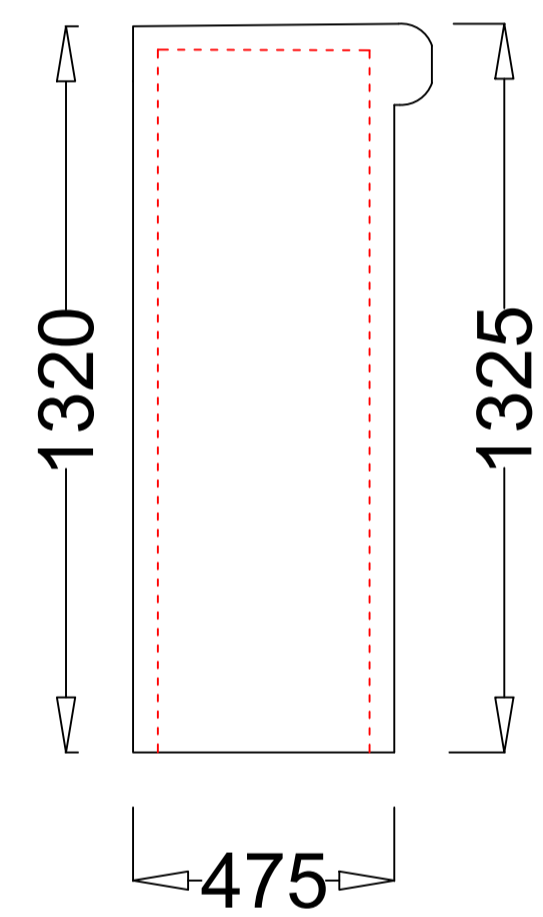


Clear Internal Dimensions - 1070mm x 350mm x 1.300mm

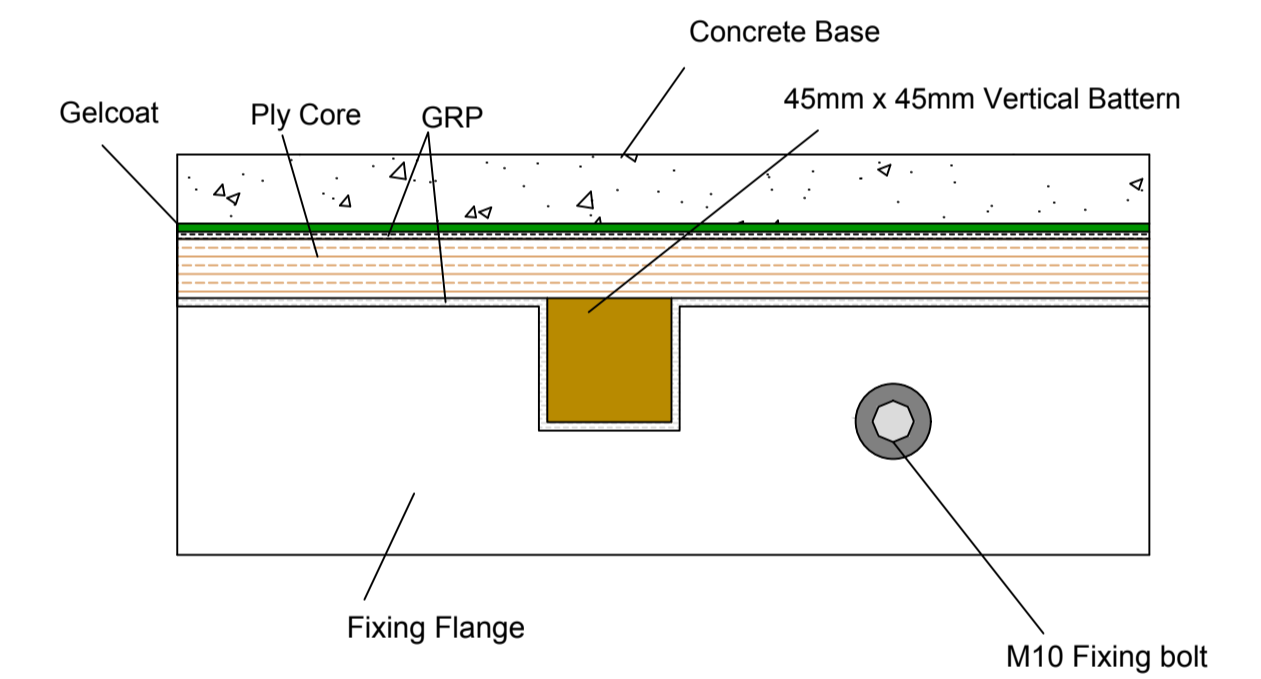
920mm x 1070mm x 18mm Surface Treated Ply Backboard.



- 1No. Double door (900 mm W x 1090mm H Clear Opening)
- 4No. St/St Hinges
- 1No. Yale type Lock
- 2No. Shoot Bolts
- 1No. Compression Seal

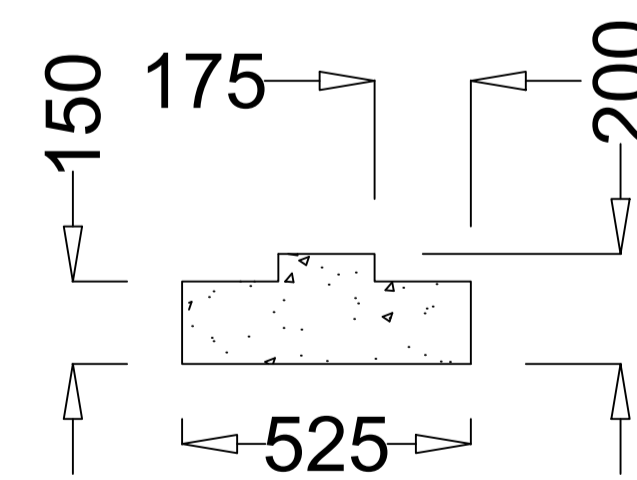
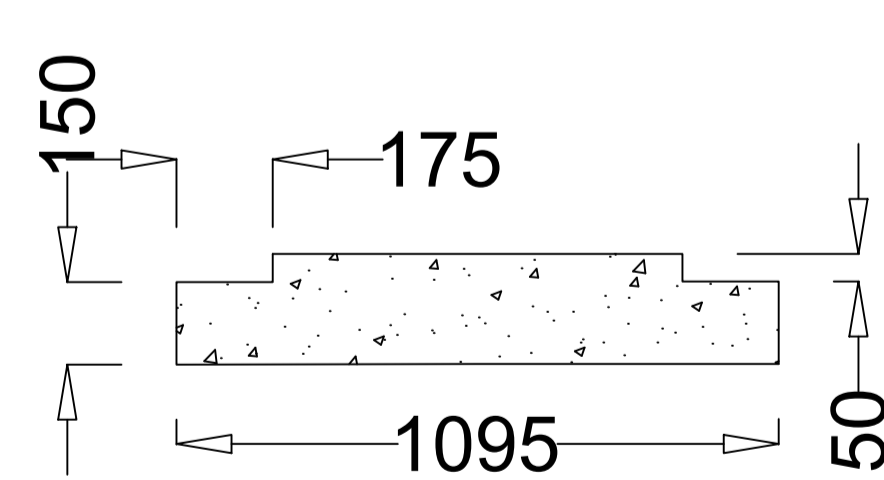
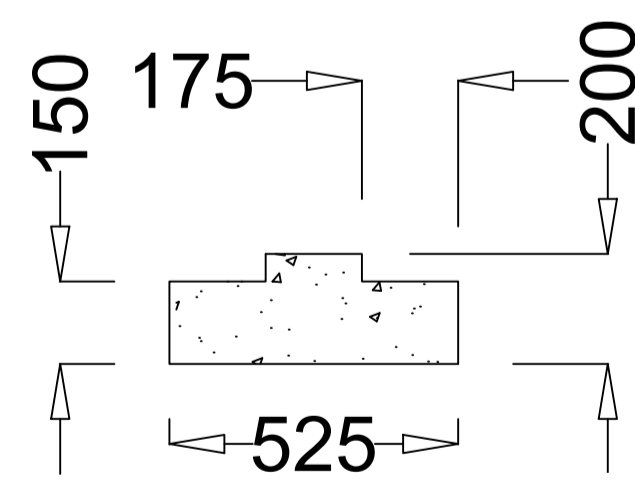


Recommended Base Fixing Detail Plan View

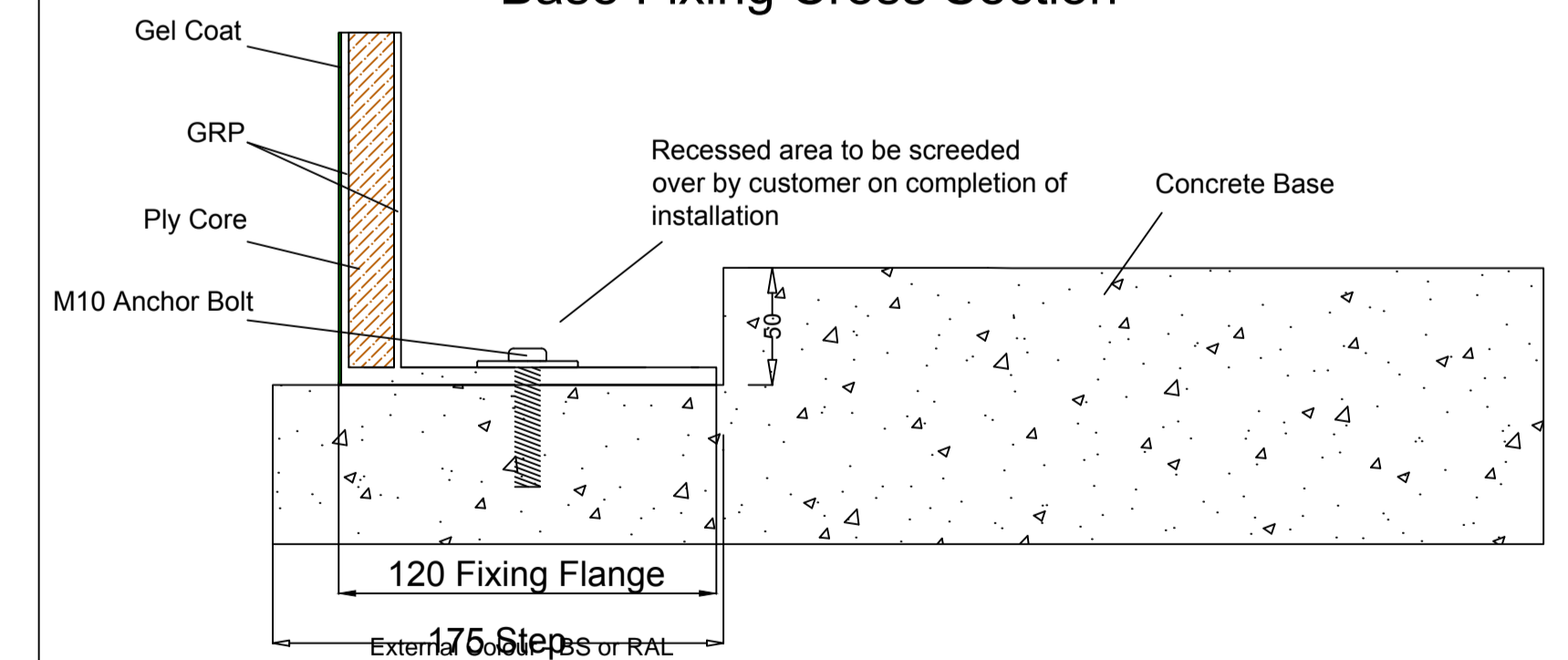


* Fixing Flange to be secured with M10 Bolts at no more than 1 meter Centres

Recommended Stepped Base Detail



Base Fixing Cross Section



GRP Enclosure

+44(0)203 790 7877
www.grpenclosure.com

Company: GRP Enclosure

Contact: +44(0)203 790 7877

Scheme Title: VR6

Date: 20.06.23

Checked:

Approx. Weight = 53KG

"U" Value = 3.0 W/sq.m/degC

Construction: Single skin

Drawing No. VR6