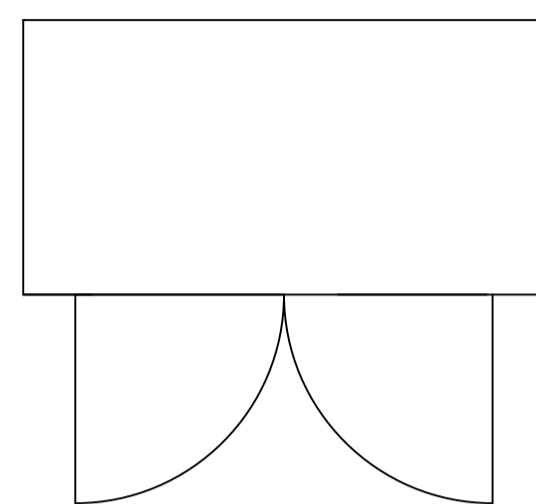
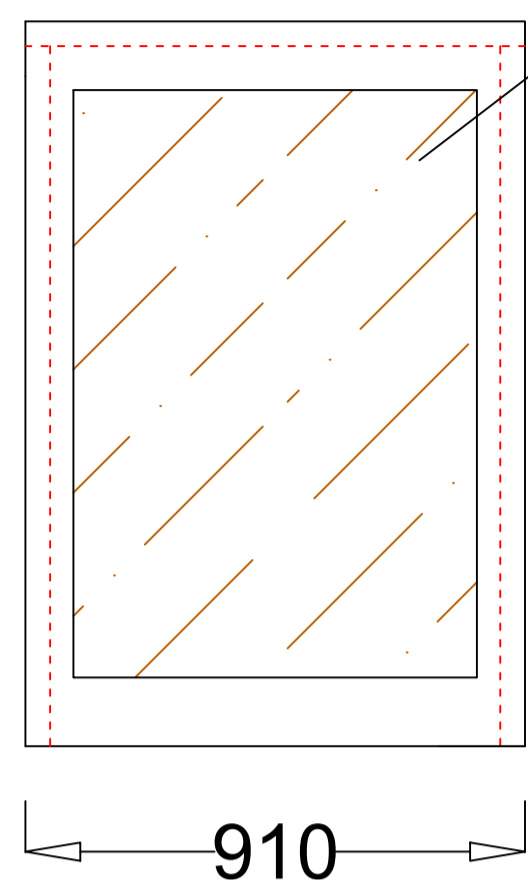
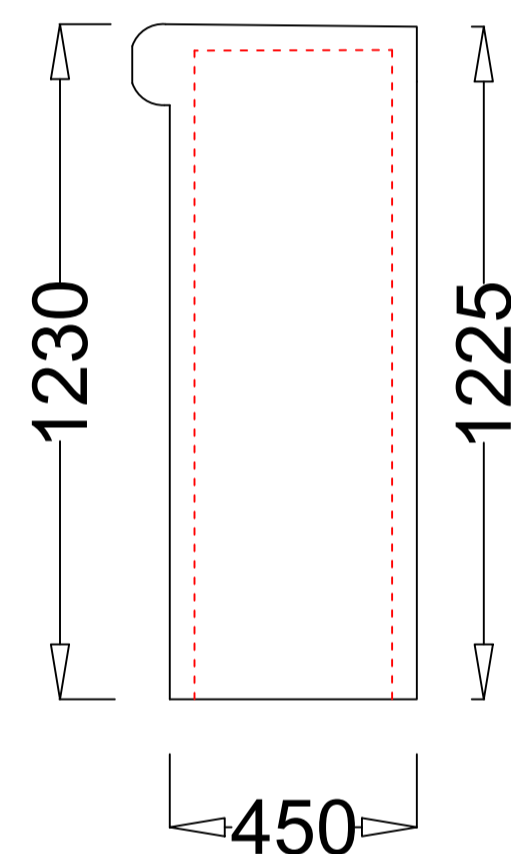
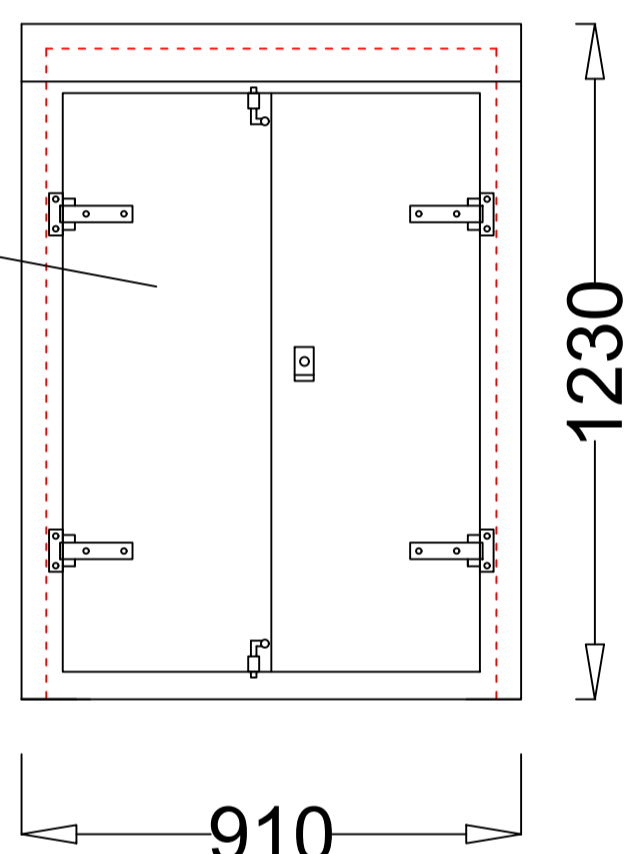
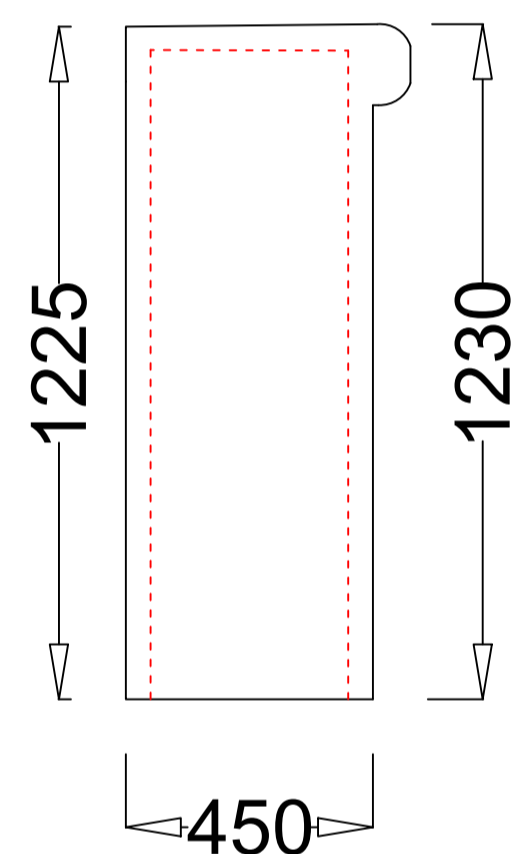


760mm x 1020mm x 18mm Surface Treated Ply Backboard.

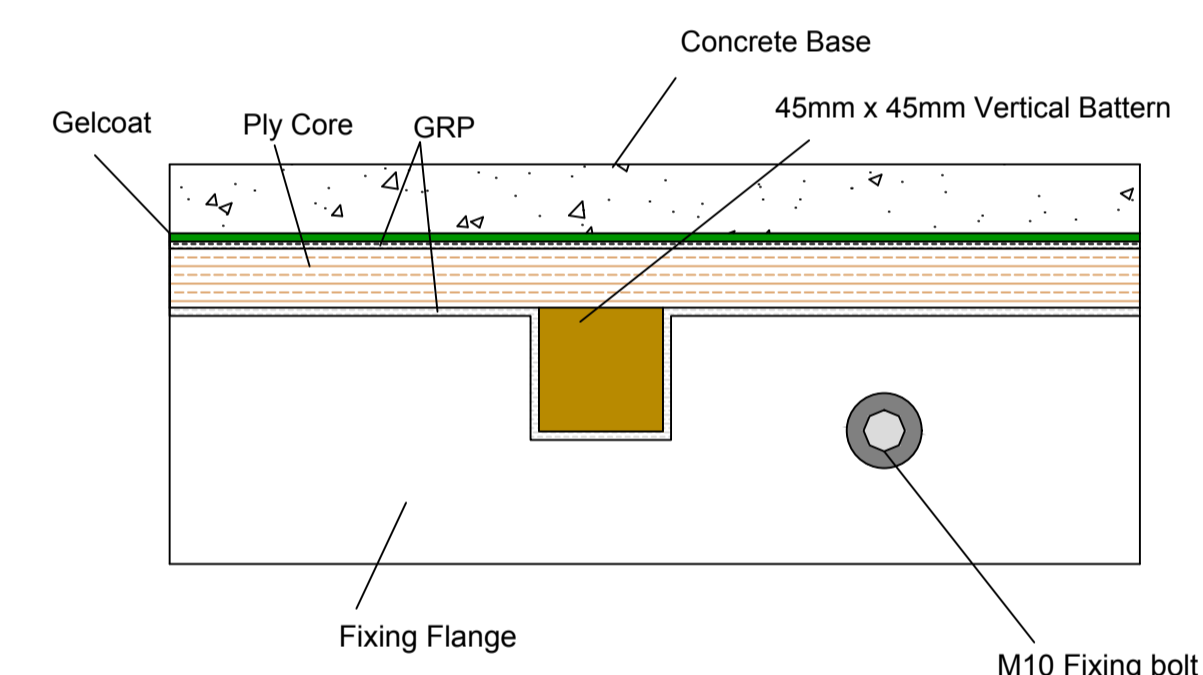


- 1No. Double door (760 mm W x 1050mm H Clear Opening)
- 4No. St/St Hinges
- 1No. Yale type Lock
- 2No. Shoot Bolts
- 1No. Compression Seal



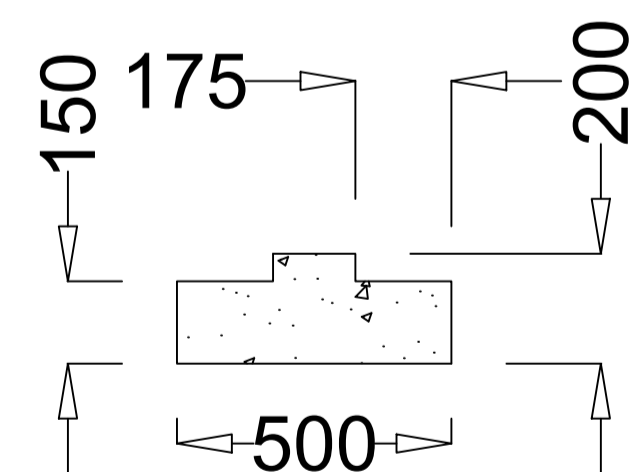
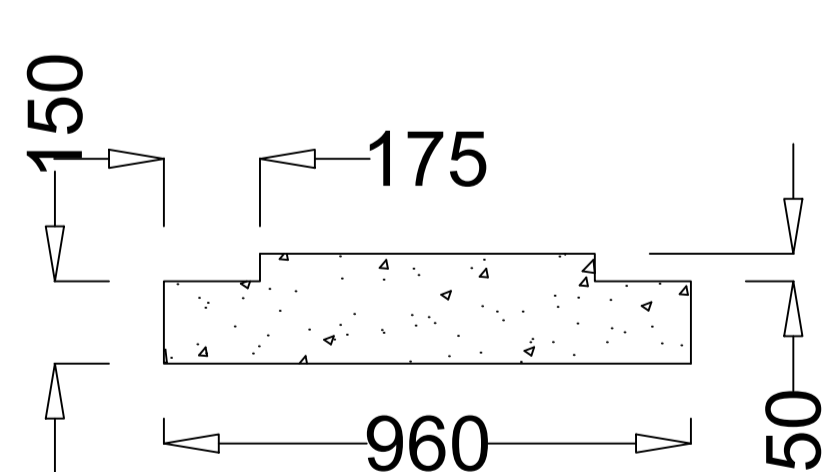
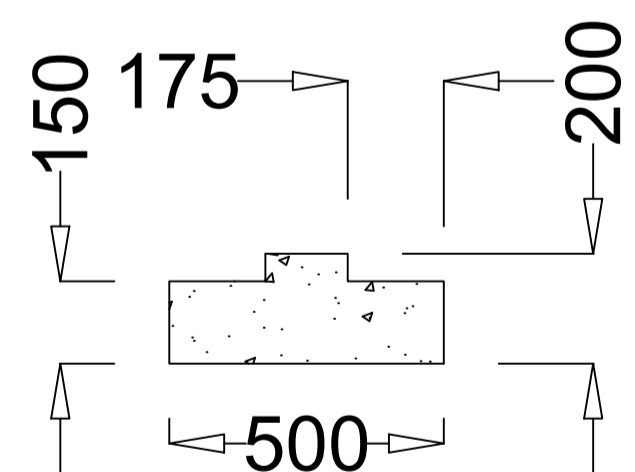
Clear Internal Dimensions - 900mm x 360mm x 1200mm

Recommended Base Fixing Detail Plan View

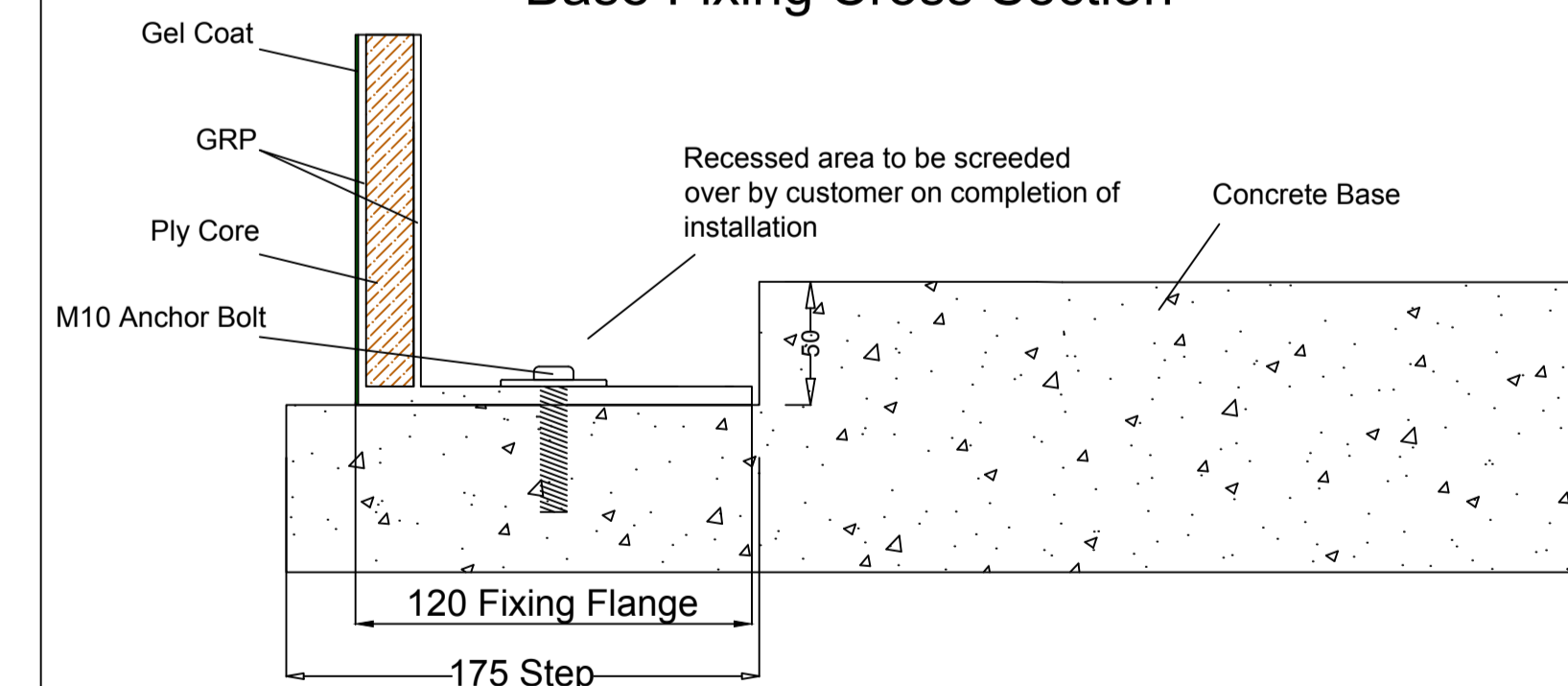


* Fixing Flange to be secured with M10 Bolts at no more than 1 meter Centres

Recommended Stepped Base Detail



Base Fixing Cross Section



GRP Enclosure

+44(0)203 790 7877
www.grpenclosure.com

Company: GRP Enclosure

Contact: +44(0)203 790 7877

Scheme Title: VR5

External Colour - BS or RAL

Approx. Weight = 42KG

"U" Value = 3.0 W/sq.m/degC

Date: 20.06.23

Construction: Single skin

Checked:

Drawing No. VR5

Job No. VR5

Rev: