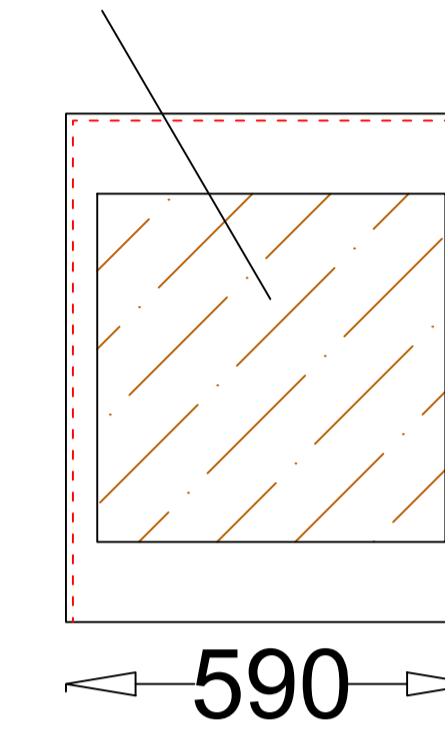


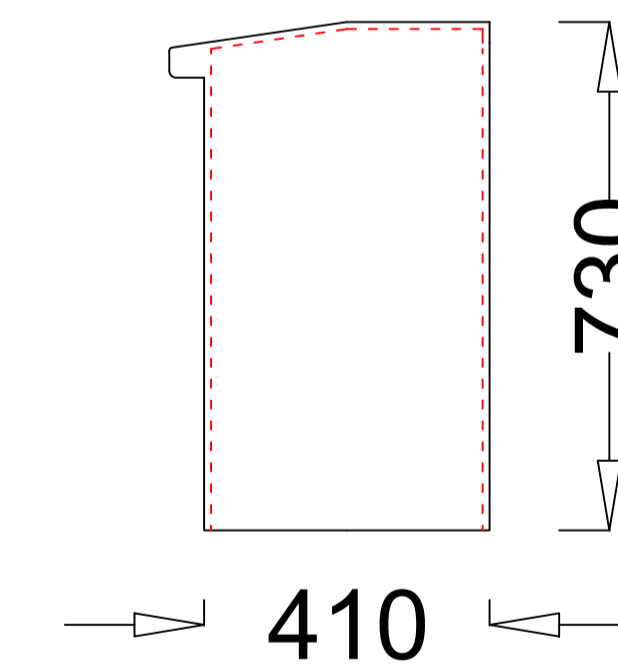
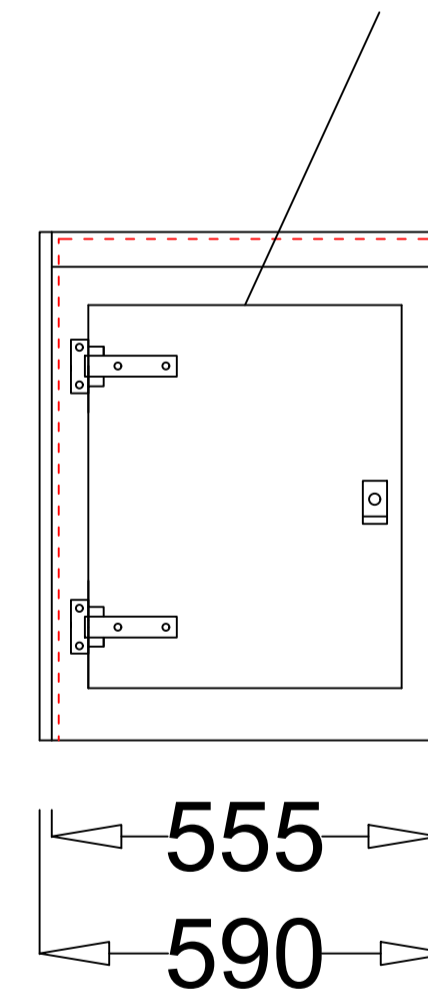
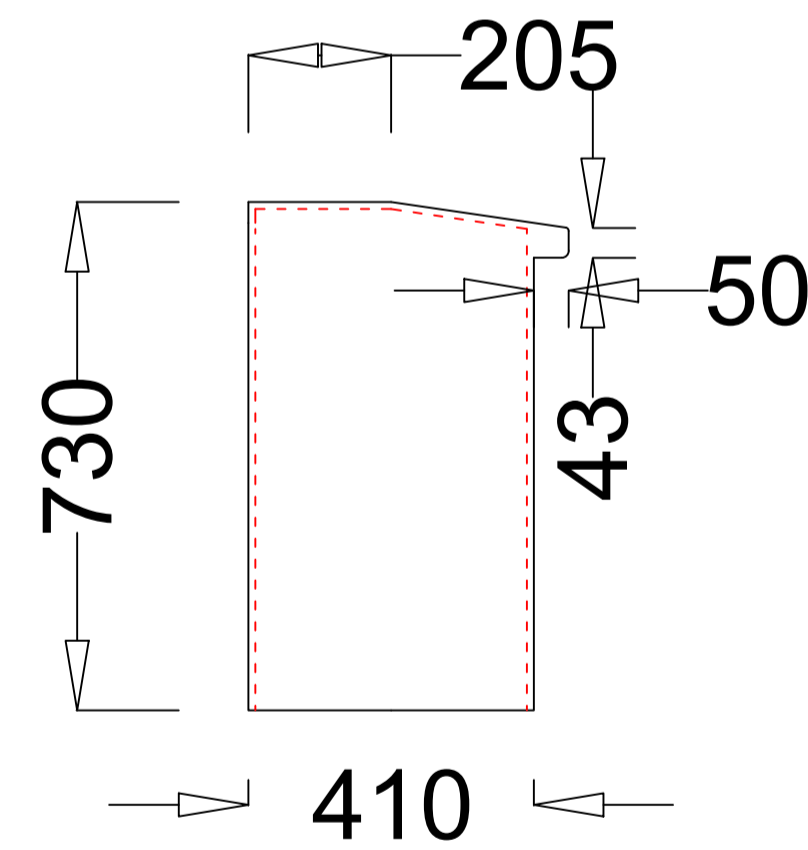
Non Load bearing GRP Floor as standard

1No. 500 x 500 mm, 18mm Surface Treated Ply Backboard



Clear Internal Dimensions - 555mm x 310mm x 700mm

- 1No. Single door (400 mm W x 500mm H Clear Opening)
- 2No. St/St Hinges
- 1No. Yale type Lock
- 1No. Compression Seal



GRP Enclosure

+44(0)203 790 7877
www.grpenclosure.com

Company: GRP Enclosure

Contact: +44(0)203 790 7877

Scheme Title: VR2

External Colour - BS or RAL

Approx. Weight = 16KG

"U" Value = 3.0 W/sq.m/degC

Date: 22.05.23

Checked:

Construction: Single skin

Drawing No. VR2

Job No. VR2

Rev: