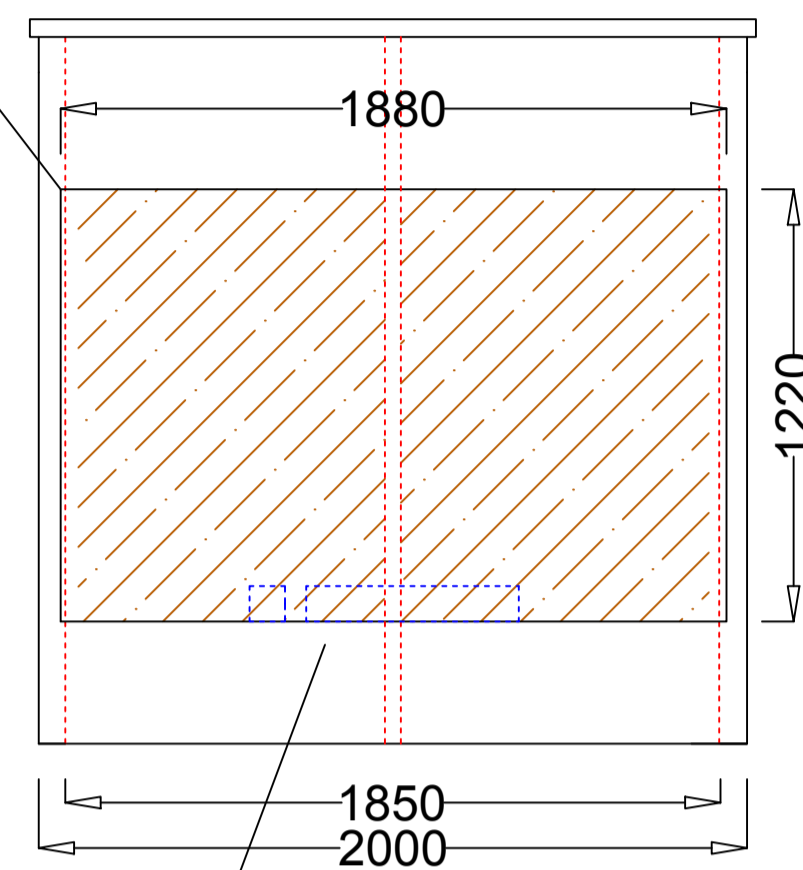


- Electrics:-
 1No. 6 Way S Phase Dist Board
 1No. Twin Socket c/w RCD
 1No. 1600mm Twin T8 Light c/w switch
 1No. 2ft Tubular Heater c/w guard & stat

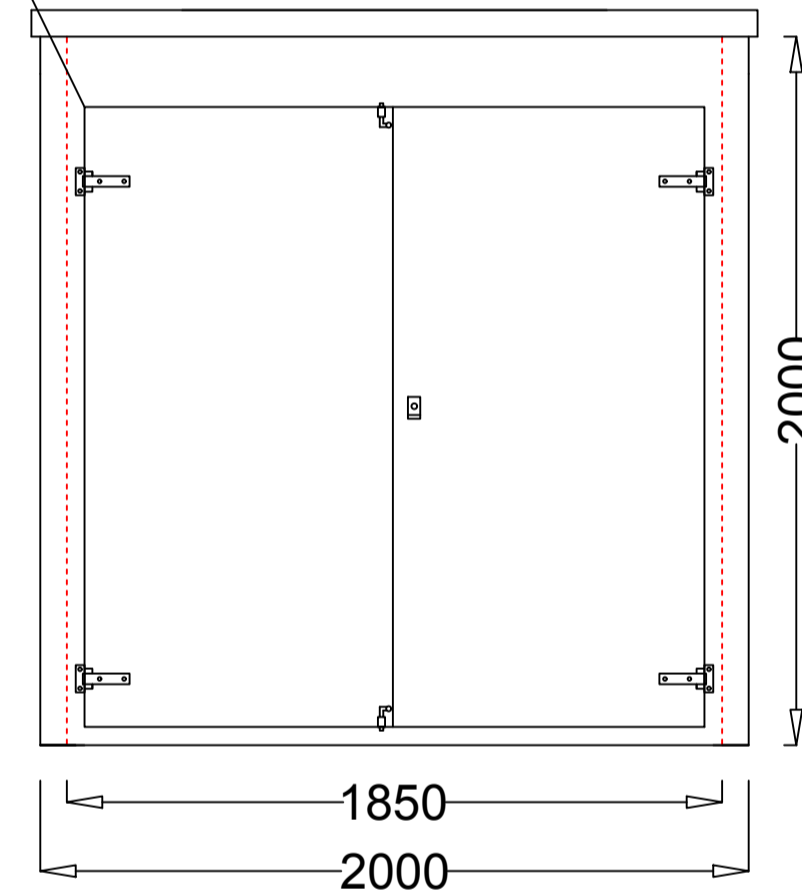
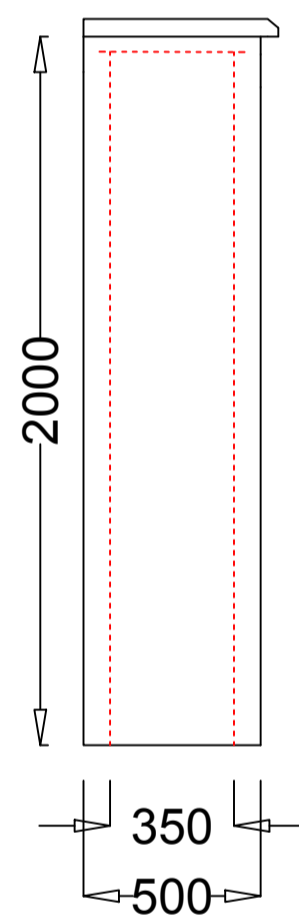
Clear Internal Dimensions - 1850mm x 350mm x 2000mm

18mm Surface Treated Ply Backboard.



1No. 2ft Tubular Heater c/w guard & stat

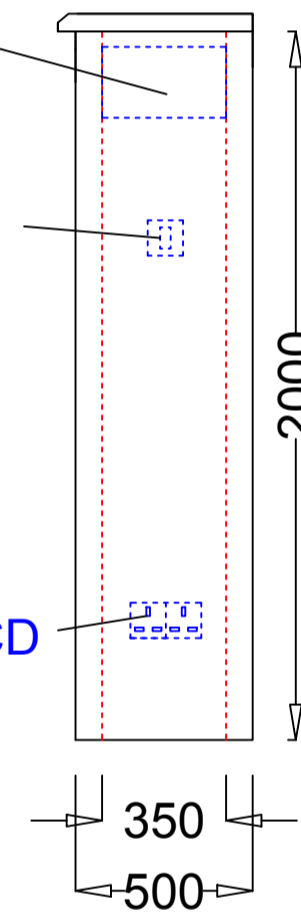
- 1No. Double door (1750 mm W x 1750mm H Clear Opening)
 4No. St/St Hinges
 1No. Yale type Lock
 2No. Shoot Bolts
 1No. Compression Seal



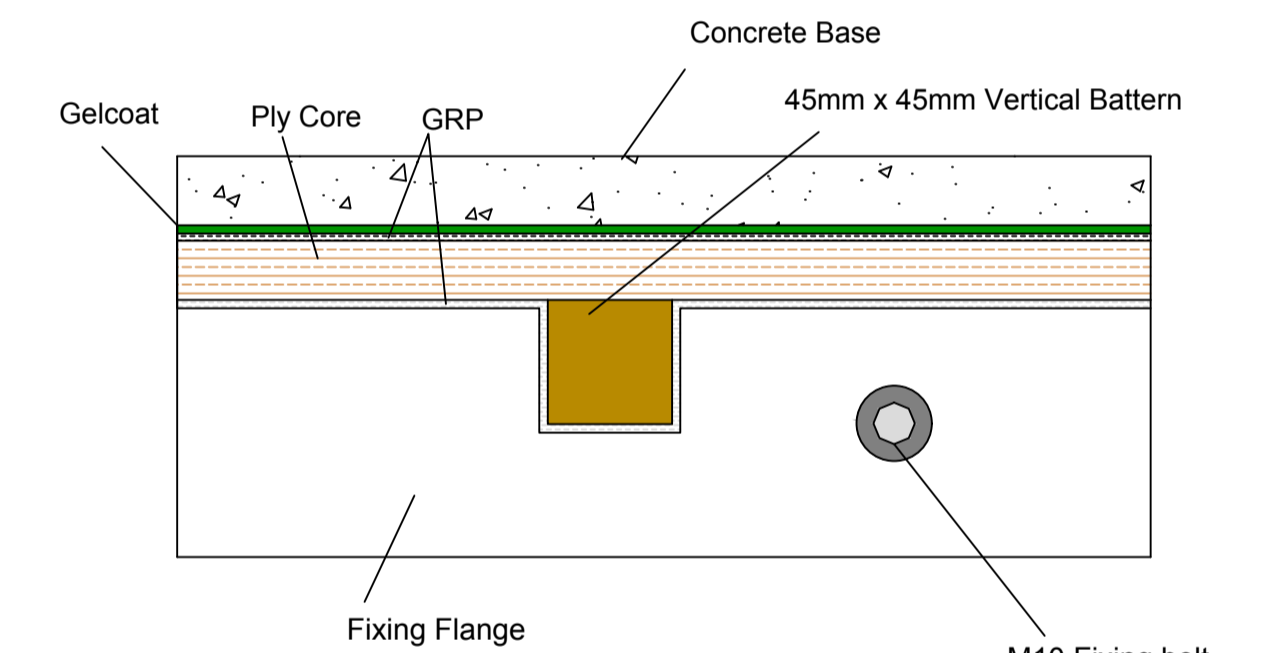
1No. 6 Way S Phase Dist Board

1No. Light Switch

1No. Twin Socket c/w RCD

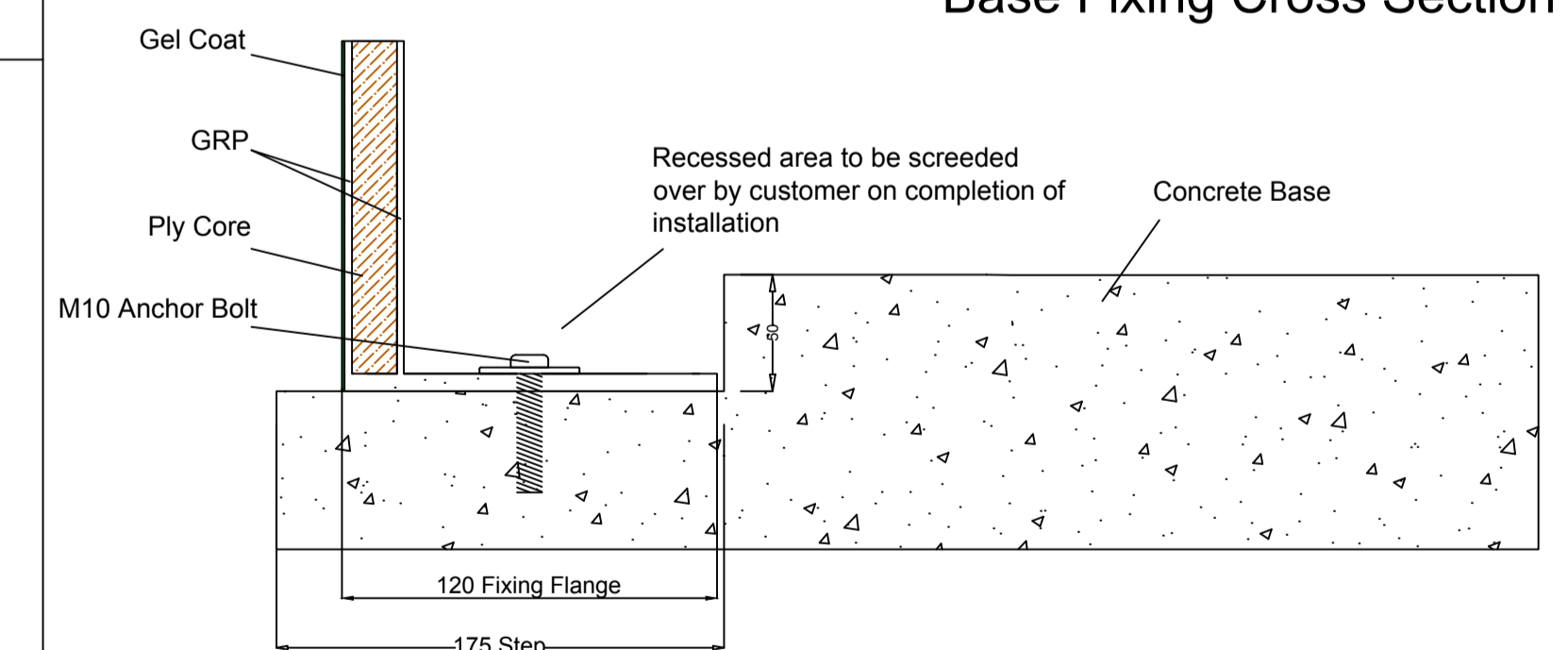


Recommended Base Fixing Detail Plan View

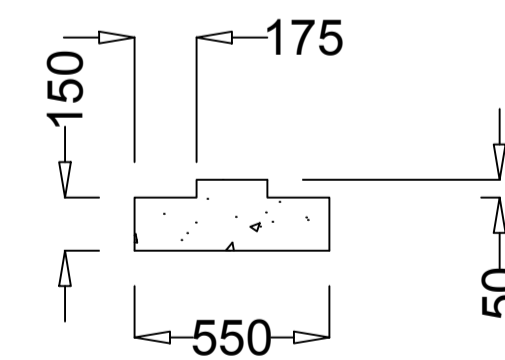
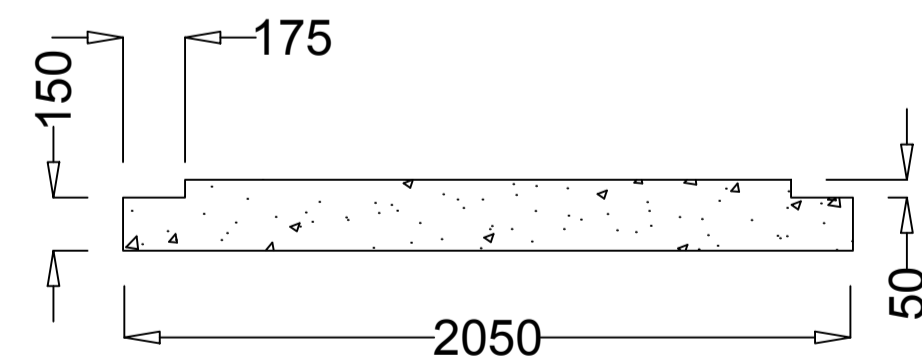
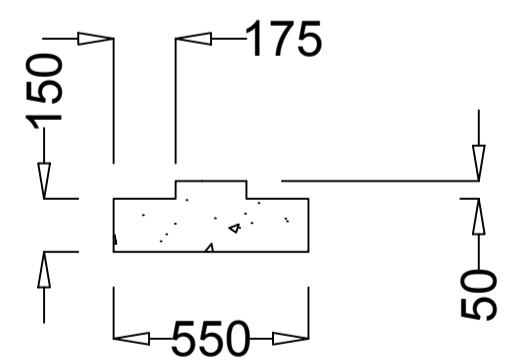


* Fixing Flange to be secured with M10 Bolts at no more than 1 meter Centres

Base Fixing Cross Section



Recommended Stepped Base Detail



GRP Enclosure

+44(0)203 790 7877

www.grpenclosure.com

Company: GRP Enclosure

Contact: +44(0)203 790 7877

Scheme Title: VR13-E

Date: 22.06.23

Checked:

External Colour - BS or RAL

Approx. Weight = 200KG

"U" Value = 2.2 W/sq.m/degC

Wall Construction: 12mm Ply Core & 50mm x 50mm Battens
 Roof Construction: 12mm Ply Core & 50mm x 50mm Battens
 Battens positioned at no more than 1m centres.

Drawing No. VR13-E