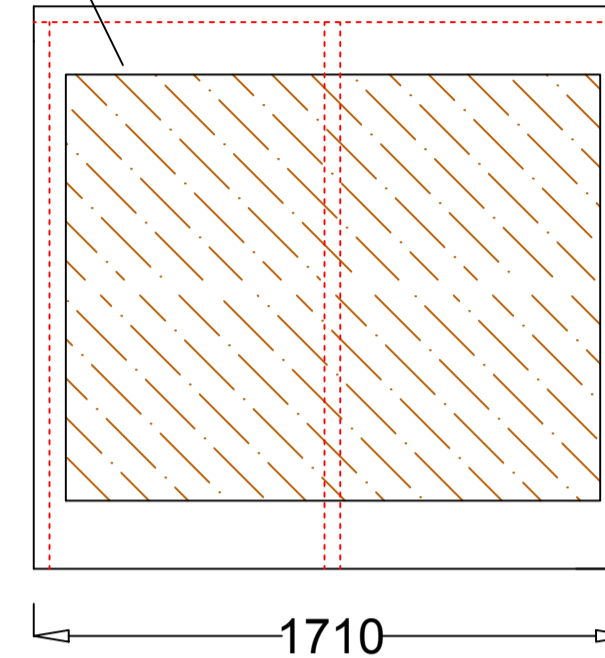
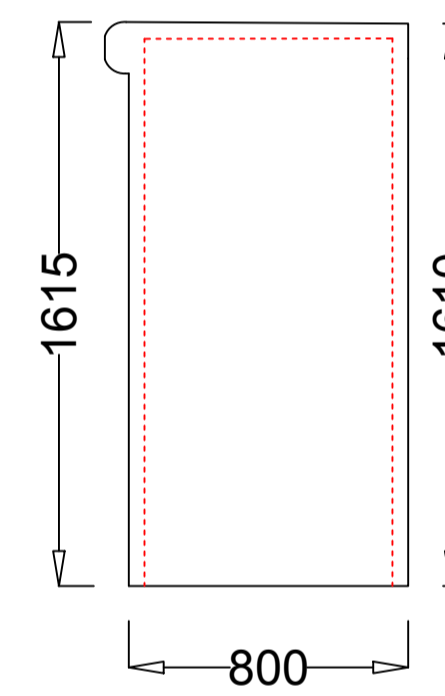
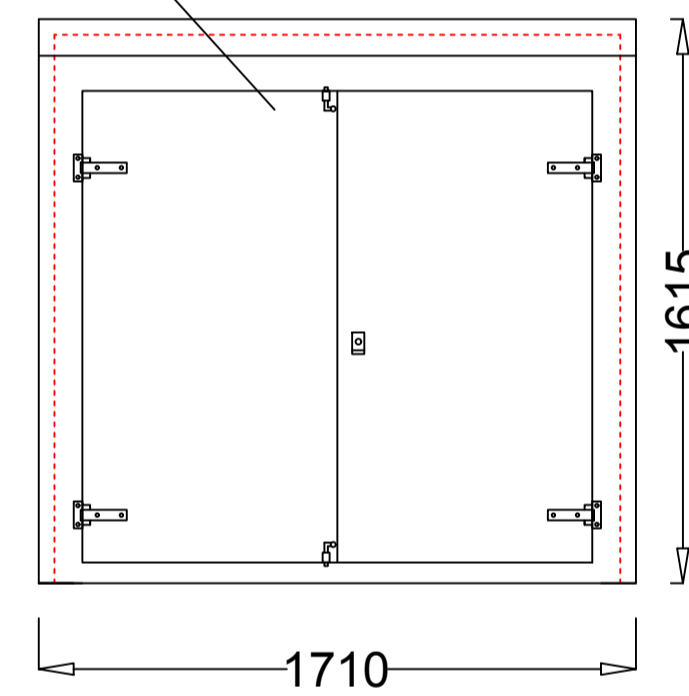
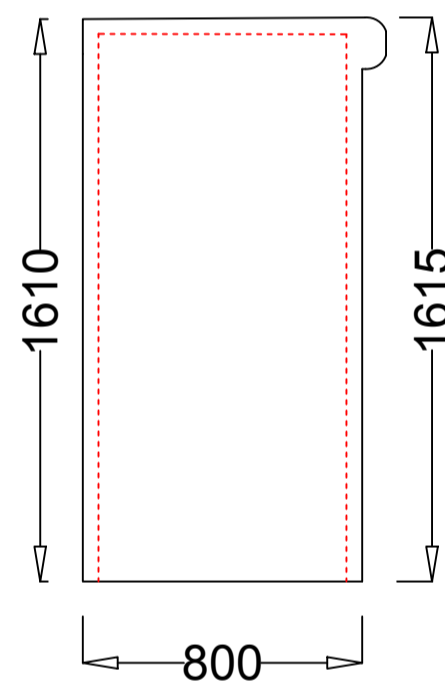


1530mm x 1220mm x 18mm Surface Treated Ply Backboard.

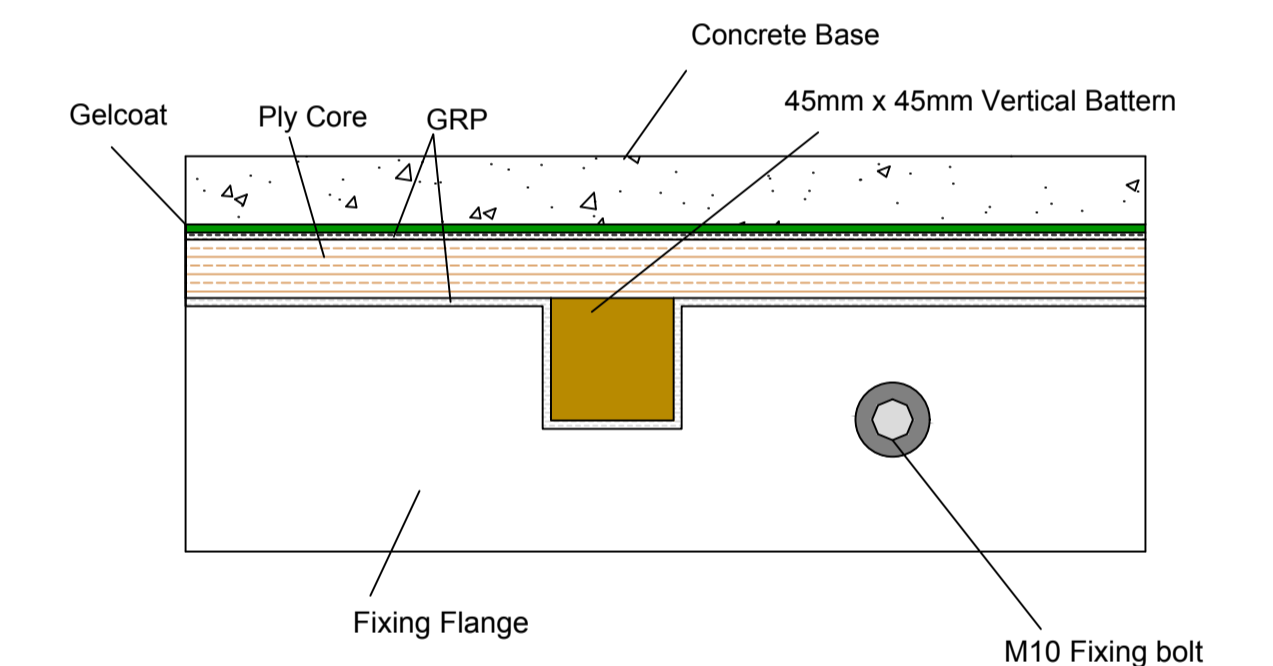


Clear Internal Dimensions - 1700mm x 660mm x 1600mm

- 1No. Double door (1460 mm W x 1380mm H Clear Opening)
- 4No. St/St Hinges
- 1No. Yale type Lock
- 2No. Shoot Bolts
- 1No. Compression Seal

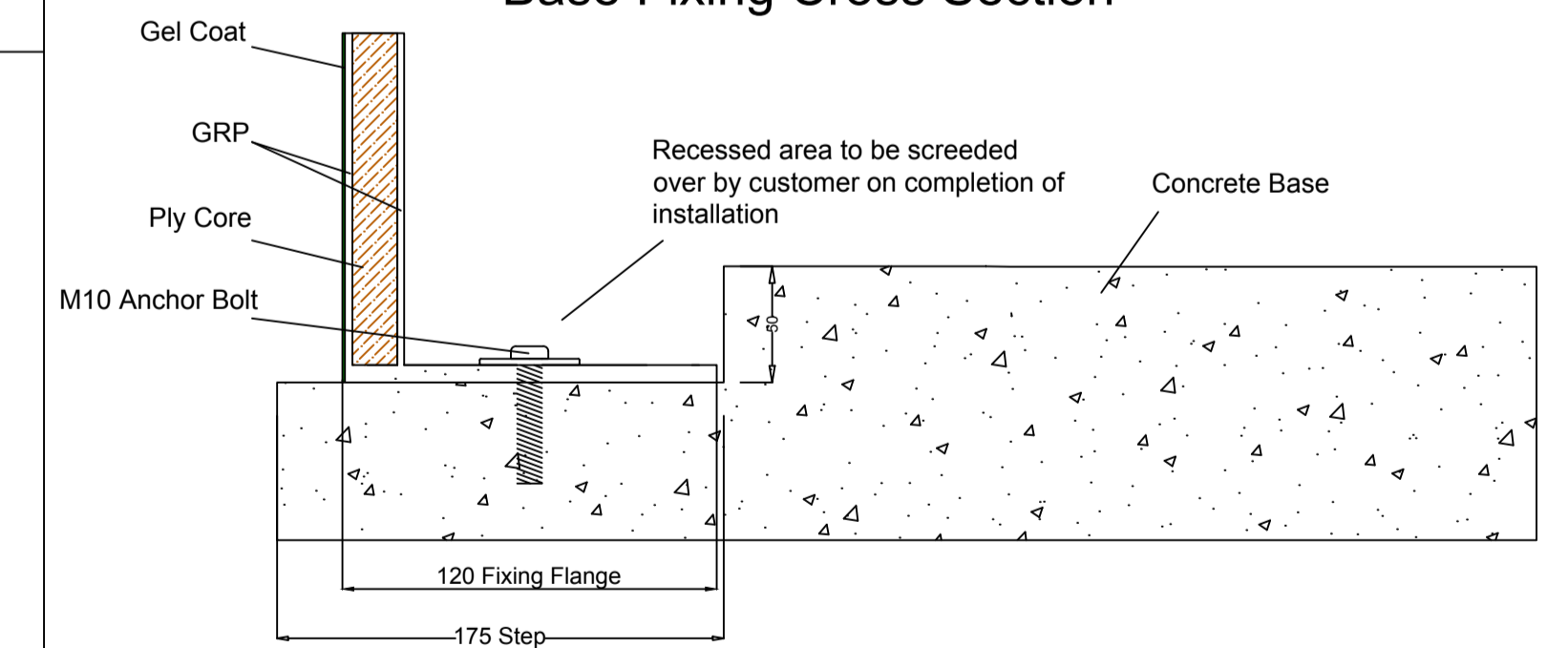


Recommended Base Fixing Detail Plan View

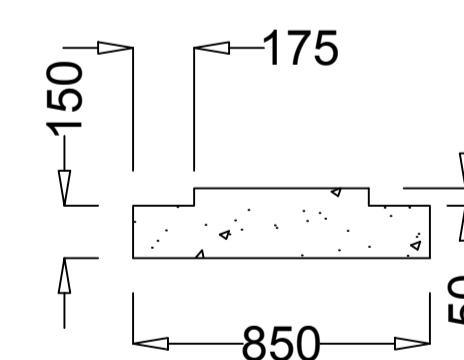
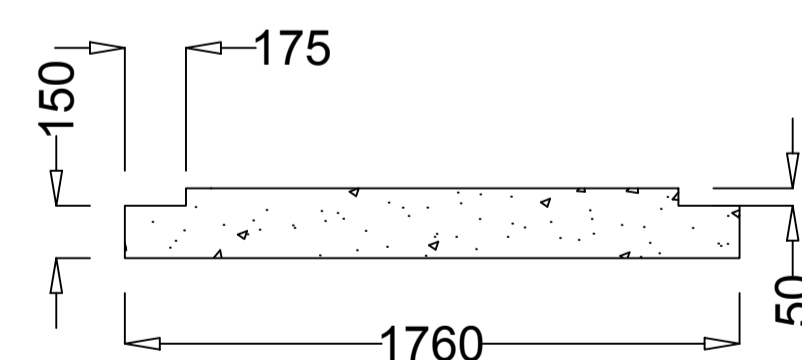
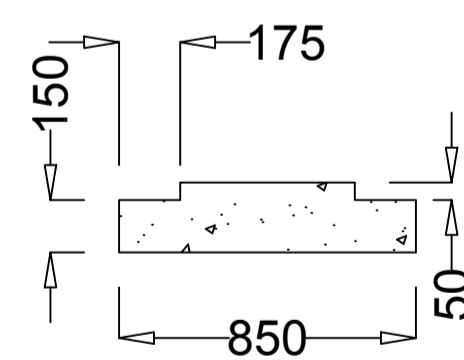


\* Fixing Flange to be secured with M10 Bolts at no more than 1 meter Centres

Base Fixing Cross Section



Recommended Stepped Base Detail



GRP Enclosure

+44(0)203 790 7877  
www.grpenclosure.com

Company: GRP Enclosure

Contact: +44(0)203 790 7877

Scheme Title: VR10

Date: 20.06.23

Checked:

External Colour - BS or RAL

Approx. Weight = 100KG

"U" Value = 3.0 W/sq.m/degC

Construction: Single skin

Drawing No. VR10