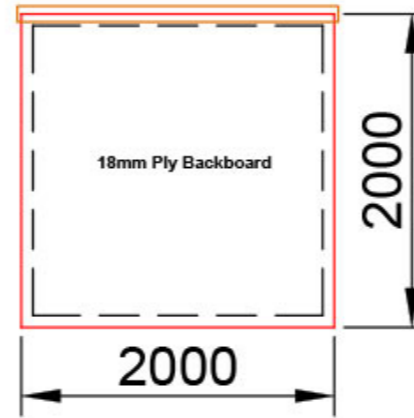
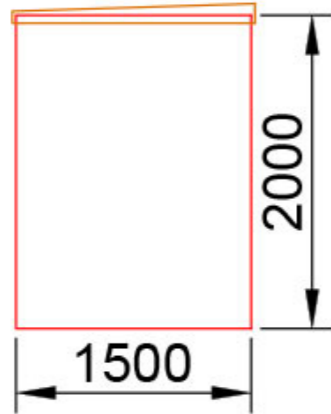


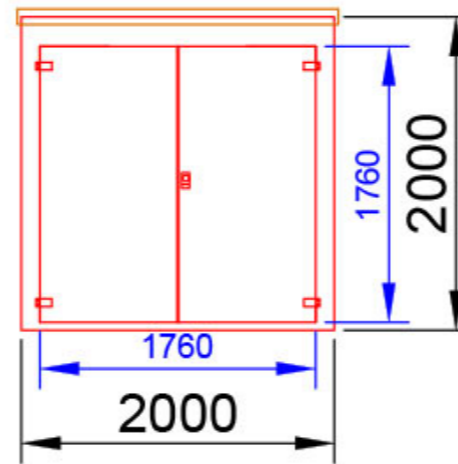
**ENCLOSURE PLAN VIEW 1**



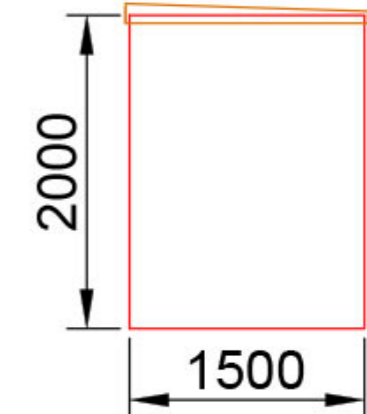
**ENCLOSURE REAR VIEW 4**



**EXTERNAL ELEVATION WALL 2  
(SIDE WALL)**

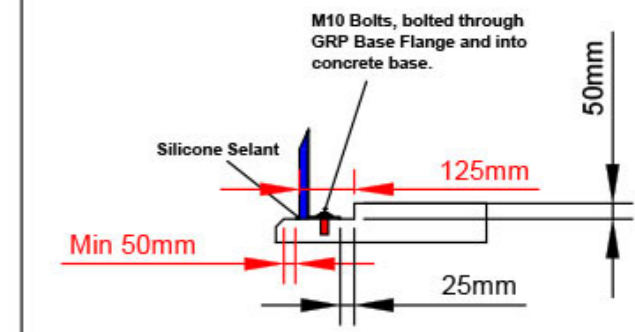


**EXTERNAL ELEVATION WALL 1  
(FRONT WALL)**



**EXTERNAL ELEVATION WALL 3  
(SIDE WALL)**

**Typical Stepped Concrete Base Detail (Recommended)**



# ET19

**OPTIONS LIST**

- Any Colour
- 18mm Ply Backboard
- Stainless Steel Hasp & Staple
- Stainless Steel Door Stays (90 Degree)
- Floor: Single Skin
- Floor: Load Bearing
- Cat Flap
- Vents
- Electrics

<b>Company</b>	GRP Enclosure	<b>External Finish:</b> Semi-Gloss: Smooth	<b>Internal Color:</b> White	<b>External Color:</b> Green (14-C-39)
<b>Contact</b>	+44(0)203 790 7877	<b>Fire Resistance:</b> BS476 Part 22- 1/2 hr.	<b>Base Flange:</b> 100mm GRP Base Flange	<b>Roof Construction:</b> GRP/12mm Ply/GRP
<b>Order #</b>		<b>Doors:</b> 1no. Double Door 1760mm x 1760mm (H)	<b>Ventilation:</b>	<b>Wall Construction:</b> GRP/12mm Ply/GRP
<b>DWG #</b>	ET19	<b>Rev</b>		
		<b>Date</b>	21-10-15	
		<b>Scale</b>		
		<b>N/A</b>		