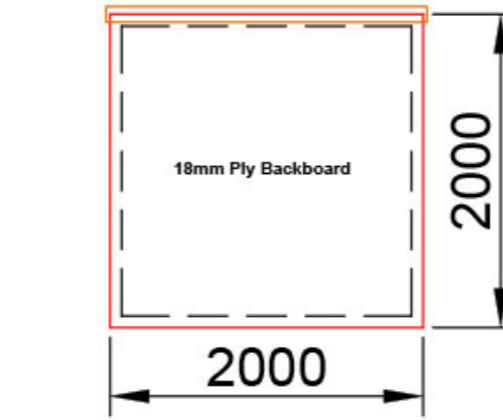
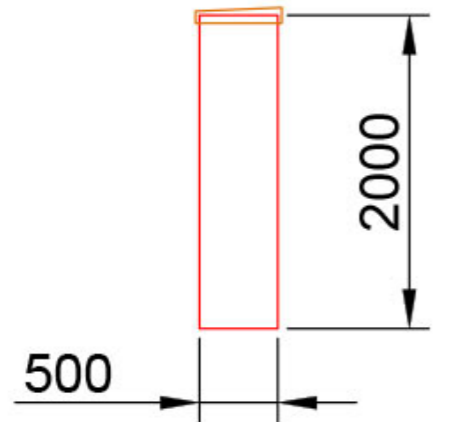


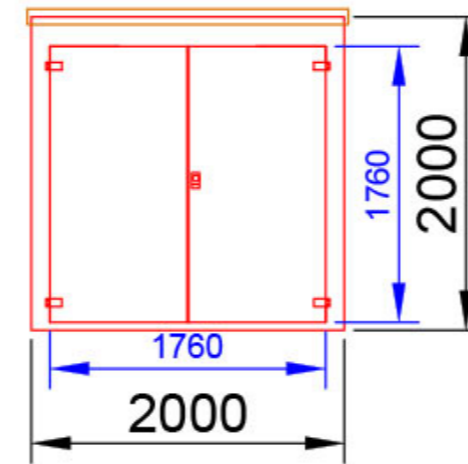
ENCLOSURE PLAN VIEW 1



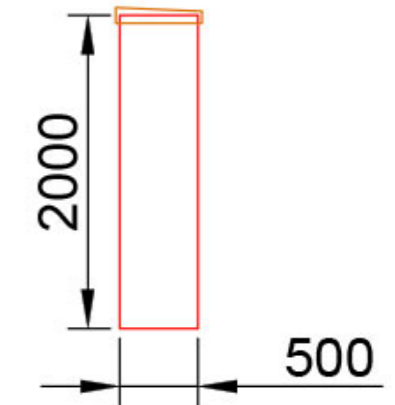
EXTERNAL ELEVATION WALL 4 (REAR WALL)



EXTERNAL ELEVATION WALL 2 (SIDE WALL)

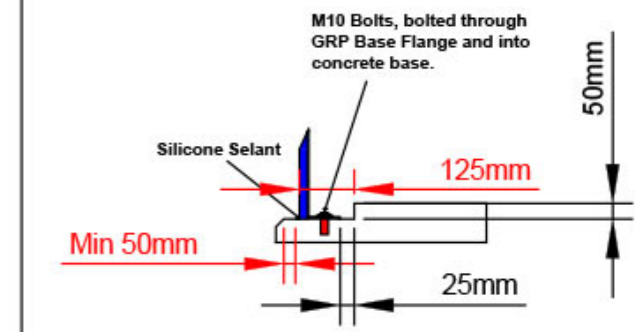


EXTERNAL ELEVATION WALL 1 (FRONT WALL)



EXTERNAL ELEVATION WALL 3 (SIDE WALL)

Typical Stepped Concrete Base Detail (Recommended)



ET17

OPTIONS LIST

- Any Colour
- 18mm Ply Backboard
- Hasp & Staple
- Floor Single Skin
- Floor Load Bearing
- Cat Flap
- Vents
- Electrician

Company	GRP Enclosure	External Finish: Semi-Gloss: Smooth	Internal Color: White	External Color: Green (14-C-39)
Contact	+44(0)203 790 7877	Fire Resistance: BS476 Part 22- 1/2 hr.	Base Flange: 100mm GRP Base Flange	Roof Construction: GRP/12mm Ply/GRP
Order #		Doors: 1no. Double Door 1760mm x 1760mm (H)	Ventilation:	Wall Construction: GRP/12mm Ply/GRP
DWG #	ET17	Rev		Date 26-07-16
		Scale		N/A