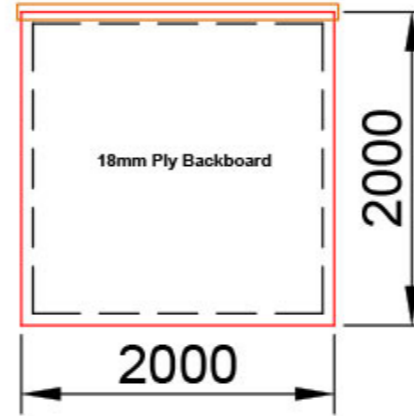
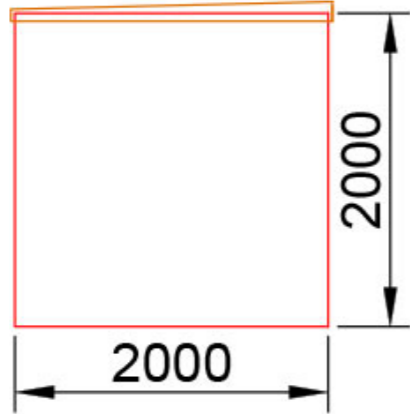


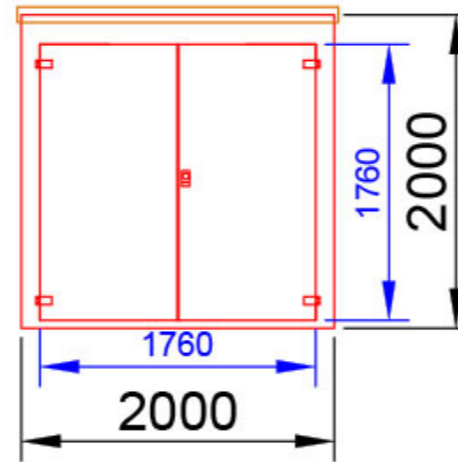
ENCLOSURE PLAN VIEW 1



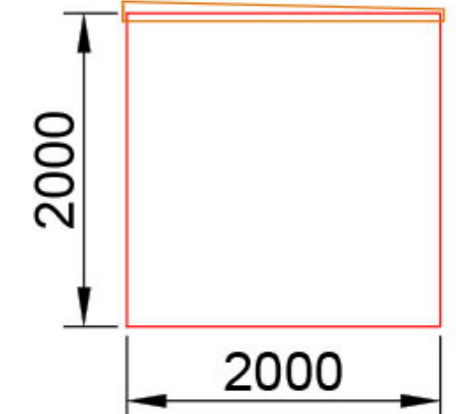
ENCLOSURE REAR VIEW 4



**EXTERNAL ELEVATION WALL 2
(SIDE WALL)**

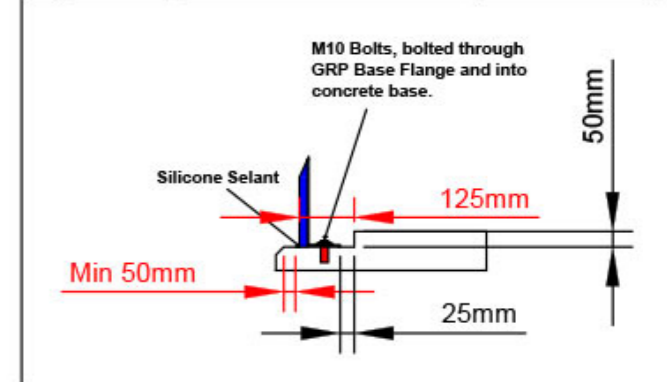


**EXTERNAL ELEVATION WALL 1
(FRONT WALL)**



**EXTERNAL ELEVATION WALL 3
(SIDE WALL)**

Typical Stepped Concrete Base Detail (Recommended)



ET16

OPTIONS LIST

- Any Colour
- 18mm Ply Backboard
- Stainless Steel Hasp & Staple
- Stainless Steel Door Stays (90 Degree)
- Floor: Single Skin
- Floor: Load Bearing
- Cat Flap
- Vents
- Electrics

Company	GRP Enclosure	External Finish: Semi-Gloss: Smooth	Internal Color: White	External Color: Green (14-C-39)
Contact	+44(0)203 790 7877	Fire Resistance: BS476 Part 22- 1/2 hr.	Base Flange: 100mm GRP Base Flange	Roof Construction: Single Skin GRP
Order #		Doors: 1no. Double Door 1760mm x 1760mm (H)	Ventilation:	Wall Construction: Single Skin GRP
DWG #	ET16	Rev		
		Date	21-10-15	
		Scale	N/A	