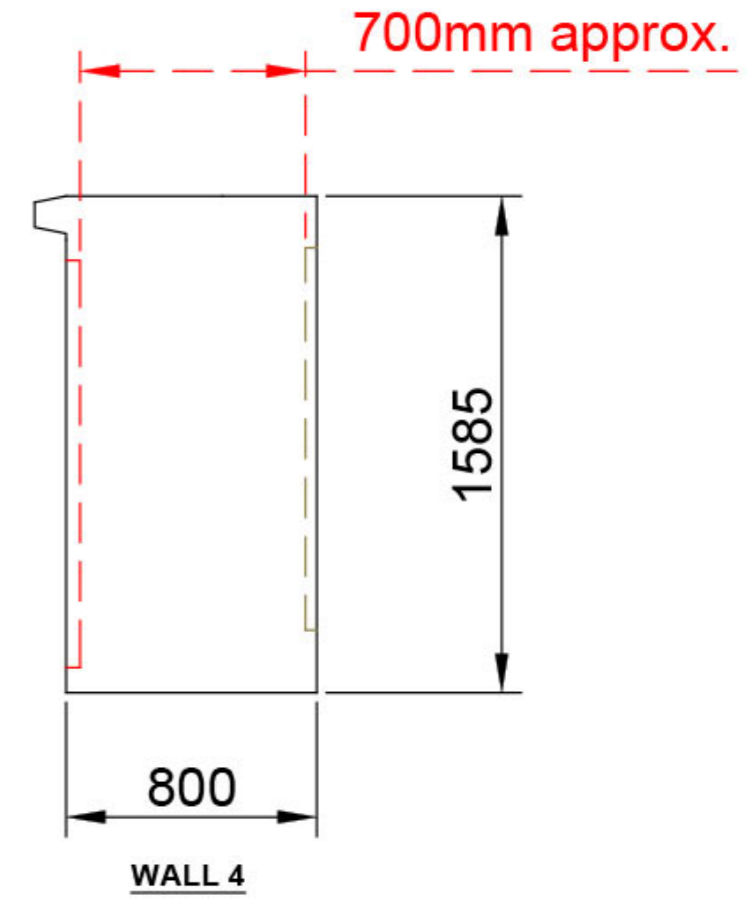
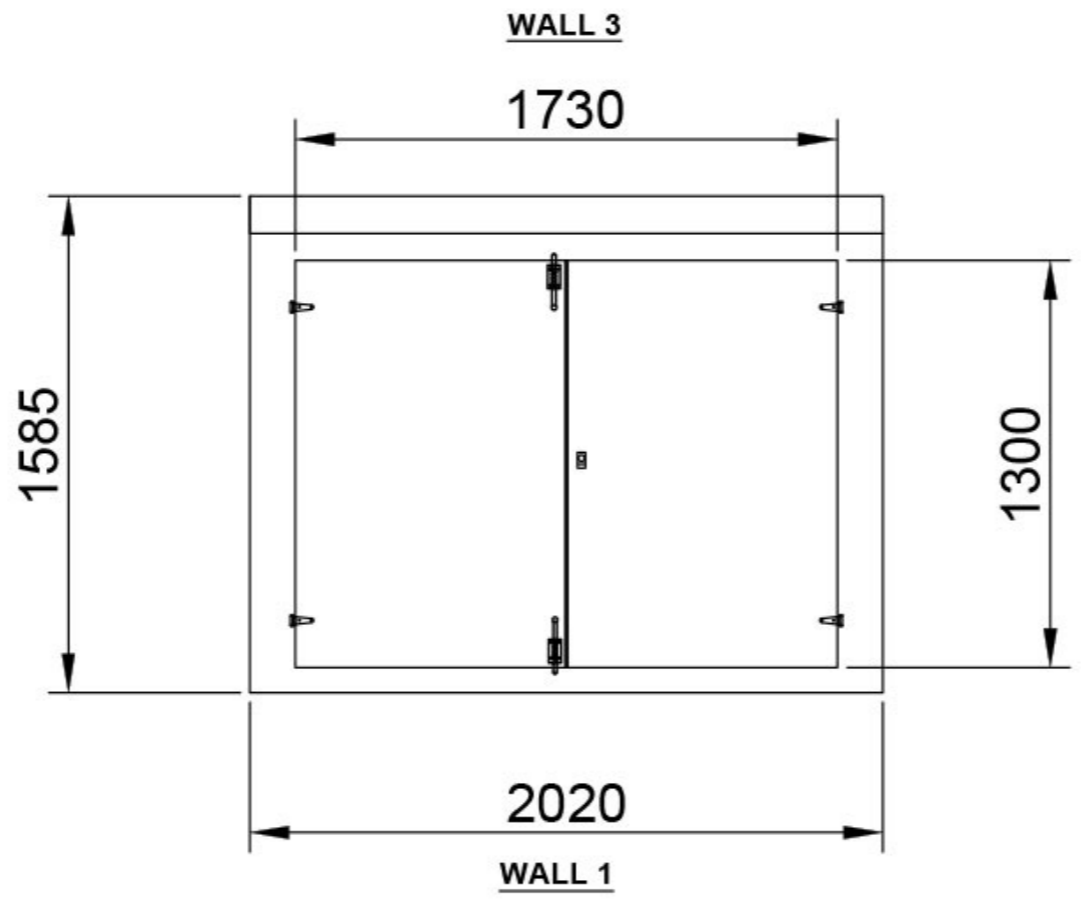
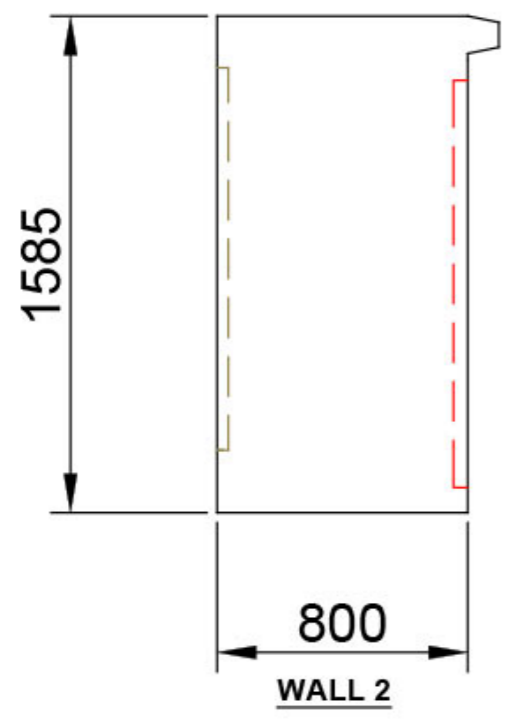
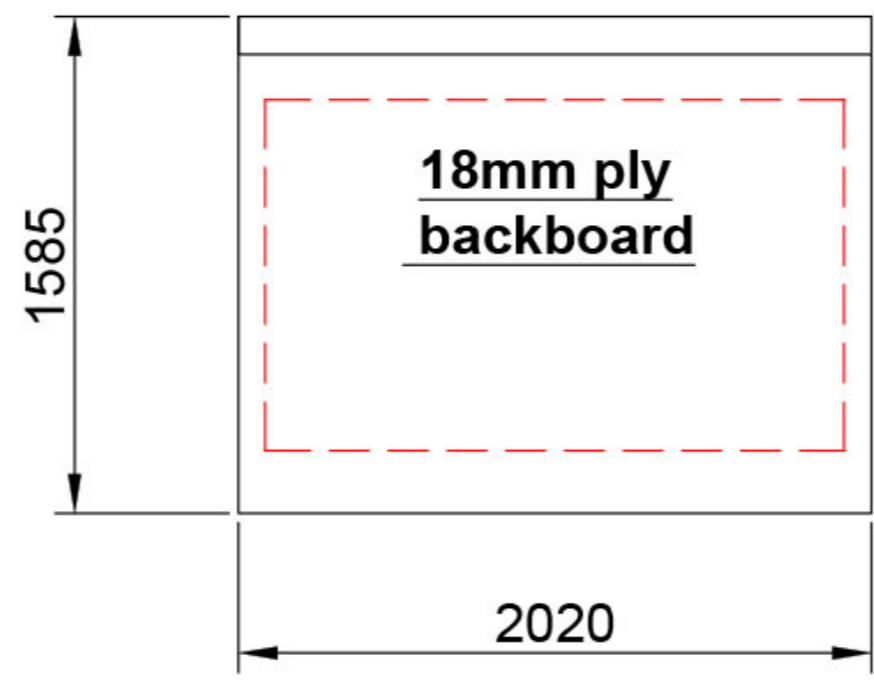
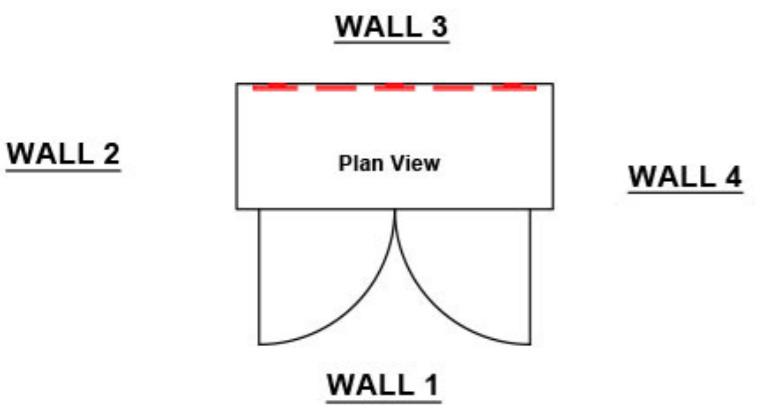


NOTES:

DOUBLE DOOR:
 1no. 1730mm Wide x 1300mm High
 4no. Stainless Steel Hinges
 2no. Stainless Steel Spring Tower Bolts
 1no. Cylinder Night Latch Lock or Hasp & Staple



Company	GRP Enclosure	External Finish: Semi Gloss	Internal Color: White	External Color: T.B.C.
Contact	+44(0)203 790 7877	Fire Resistance: BS476 Part 22- 1/2 hr.	Base Flange: 100mm GRP Base Flange	Roof Construction: GRP
Order #	-	Doors: 1no. Double Door 1730mm x 1300mm (H)	Ventilation:	Wall Construction: GRP
DWG #	ET12	Rev	Date	Scale
			28-09-15	N/A

Call +44(0)203 790 7877 or visit www.grpenclosure.com to order this enclosure today